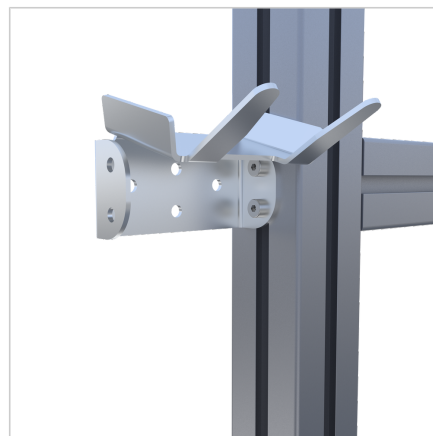
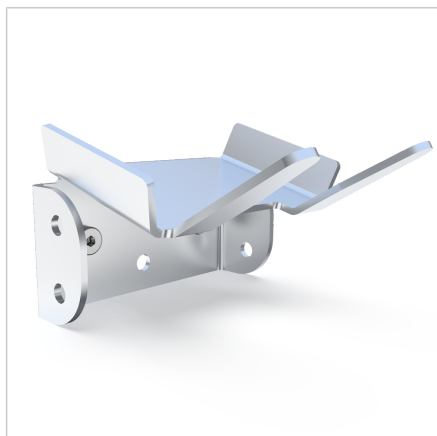


ADHESIVE TAPE ROLLER HOLDER

Code: 320085/0

Packaging tape dispenser allows convenient handle storage, quick and easy use, and makes product packaging faster and more efficient.

[Link to the product →](#)



Technical data/items supplied

- Stainless steel
- With fastening material steel, zinc plated
- Weight = 0.166 kg/piece

Applications

- The holder is used to store parcel tape hand rollers at the workplace. Space-saving and handily placed on the profile, it ensures order and cleanliness.

Assembly

- Use fixing material supplied to fix on profile groove
- The holder can be mounted at the front of the profile or on the front side of the profile above the tabletop.