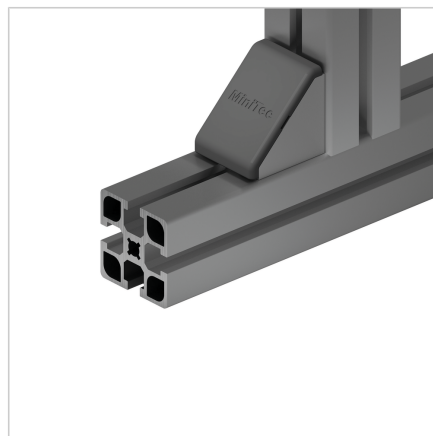
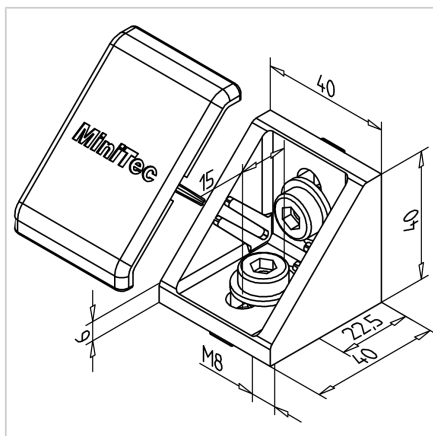
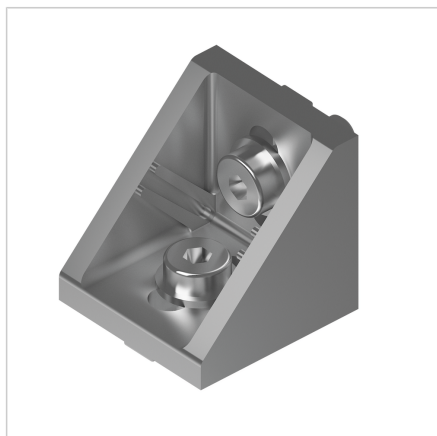


ANGLE 45 VA

Code: 210045/0

Inox mounting angle 45 VA-Z for secure angled aluminium profile connections without machining. Enhances precision, durability, and assembly flexibility.

[Link to the product →](#)



Technical data/items supplied

- Stainless steel
- With fixing material, stainless steel
- for use on vertical struts, mounting angle
Part no. 210045/7 (square nuts with position-fixing)
- Weight = 0.204 kg/piece

Applications

- General constructions, particularly for subsequent insertion of profiles into existing constructions
- Strengthening of profile constructions

Assembly

- Fasten to profile groove with supplied hardware
- Recommended locking torque: 20 Nm
- Fitting end cap MW 45 GD-Z, **part no. 221024/1**