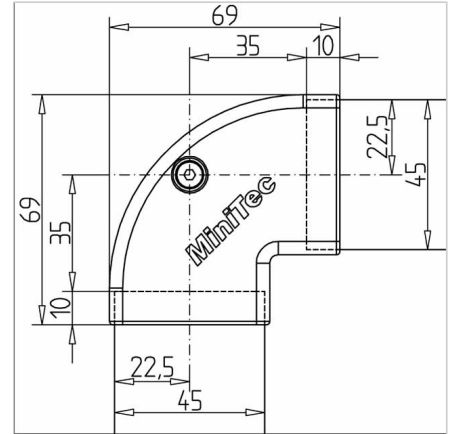
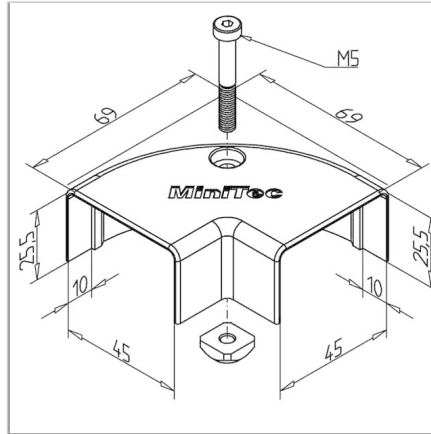
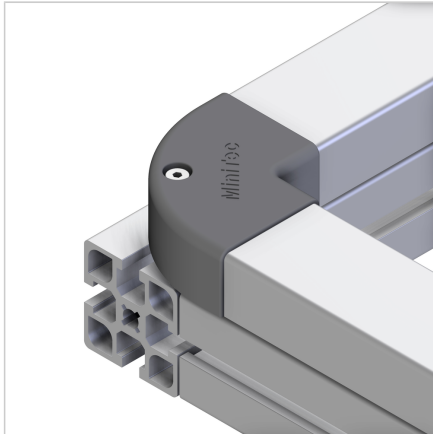


ANGLE 90° FOR CONDUIT 45

Code: 221156/0

90° angle bracket for conduit 45 AL, ensuring easy and secure connection of aluminum ducts at right angles.

[Link to the product →](#)



Technical data/items supplied

- ABS, Injection Mould, grey
- Fastening kit
- Weight = 0.026 kg/piece

Applications

- Connection of cable canal 45 AL

Assembly

- Push on both channel ends 45, tighten the screw