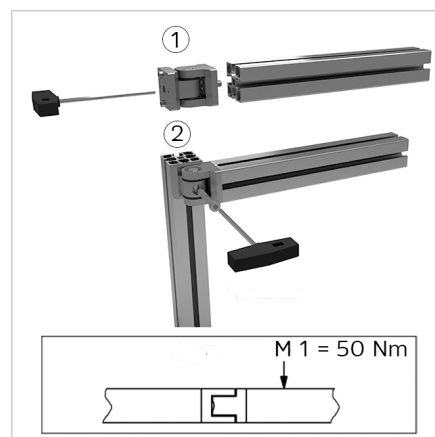
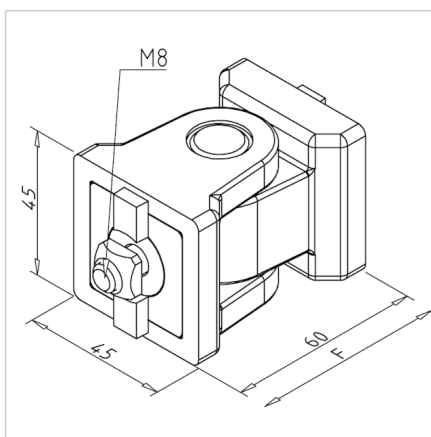
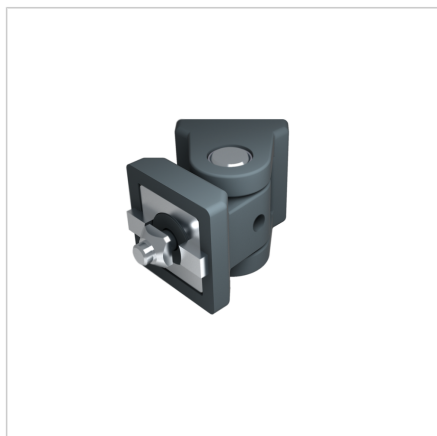


## ANGLE BRACKET 45/15

Code: 212315/0

Swivel joint 45/15 enables rotational, reliable and strong connection of aluminium profiles for adaptable and long-lasting constructions.

[Link to the product →](#)



### Technical data/items supplied

- Aluminium, Pressure die-casting, powder-coated, grey
- With fastening material steel, zinc plated
- With low-friction sliding bearing
- Anti-rotation device AL GD
- Load  $F_{max}$  2700 N
- Weight = 0.312 kg/piece

### Applications

- Heavy duty swing doors, storage of moving parts
- Not lockable
- For heavy loads use multiple hinges

### Assembly

- Attach the first joint half to the profile strut on the face side
- Fasten the second joint half to the supporting frame