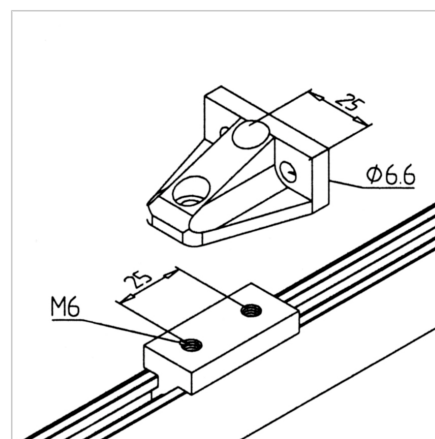
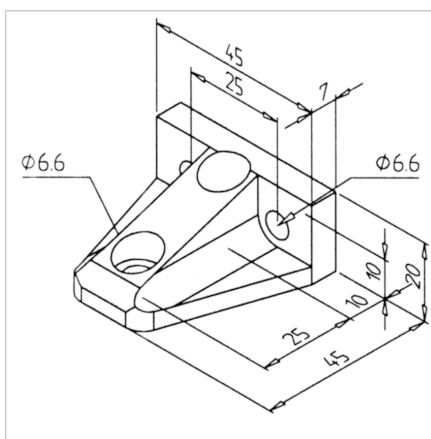
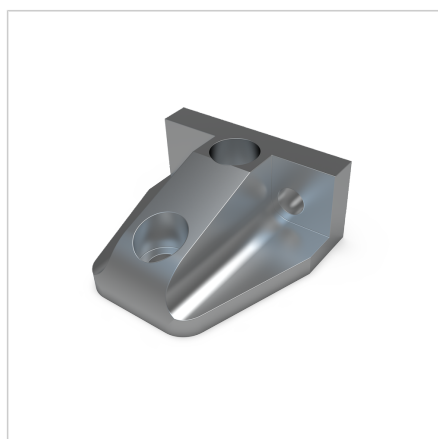


## ANGLE CONSOLE FOR MINI-ADJUSTING UNIT

Code: 280371/0

Console bracket for mini adjusting units allows connection of two units and adjustment of small loads, such as sensors or light barriers.

[Link to the product →](#)



### Technical data/items supplied

- Aluminium, anodized E6/EV1
- Without fastening kit
- Weight = 0.044 kg/piece

### Applications

- For connection of two adjustment units **part no. 280351/0, 280352/0** and **280353/0**
- For adjusting small loads such as light barriers, sensors, etc.

### Assembly

- Insert two M6 threads each, 10 mm deep with a clearance of 25 mm in the slide
- With cylinder head bolts M6 x 16 **part no. 21.1238/0** Connect adjustment units together