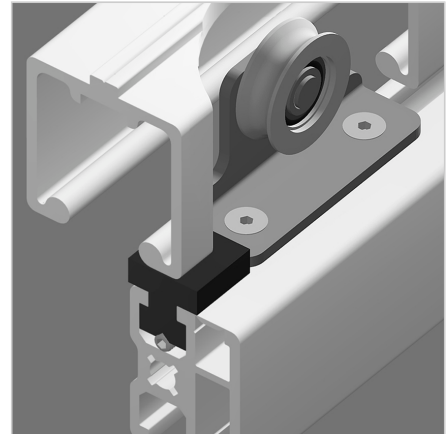
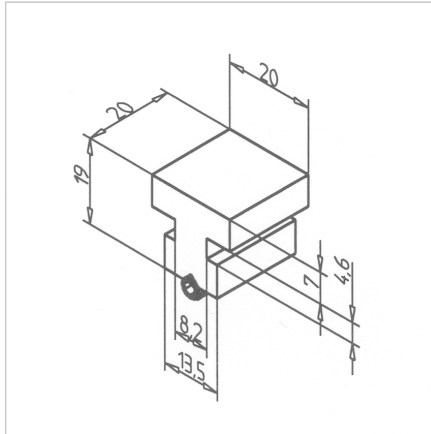
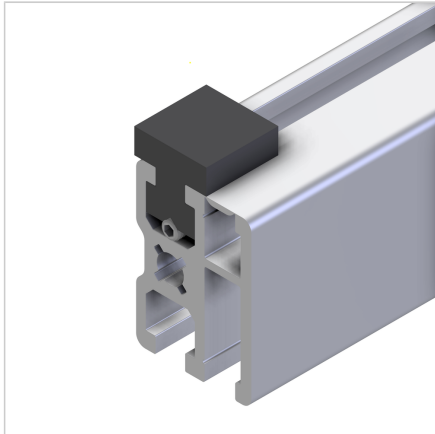


ANTI-LIFT SLIDING DOOR

Code: 212003/0

Safety catch for sliding doors ensures secure locking and minimizes door movement for reliable operation.

[Link to the product →](#)



Technical data/items supplied

- PE-UHMW, black
- With fastening material steel, zinc plated
- Weight = 0.009 kg/piece

Applications

- Securing of sliding doors against lift off
- Reduction of pendulum motion

Assembly

- Insert the safety catch on the front side into the upper sliding door profile
- Fasten to the groove base through face-side screw using the threaded pin provided
- Install end cap