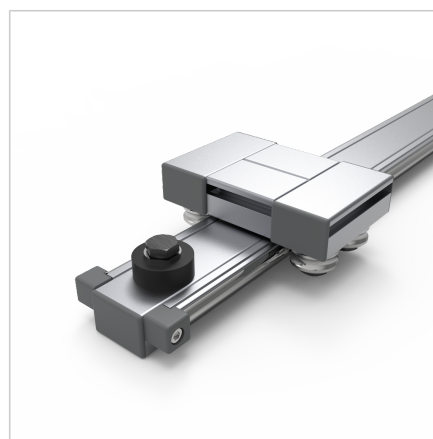
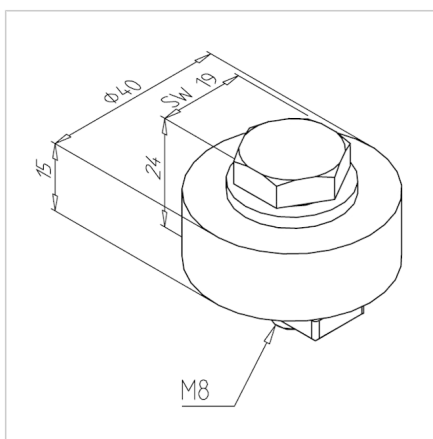


BALL LATCH SUPPORT 30

Code: 212301/0

Stopper for doors provides strong and reliable door stopping in aluminum constructions, suitable for heavier and larger elements.

[Link to the product →](#)



Technical data/items supplied

- NBR, black
- Fixation screw steel, burnished
- Nut and washer steel, galvanised
- With sliding nut M8
- Weight = 0.055 kg/piece

Applications

- Stop for heavy doors, long guides

Assembly

- Fix with square nut M6 in profile groove