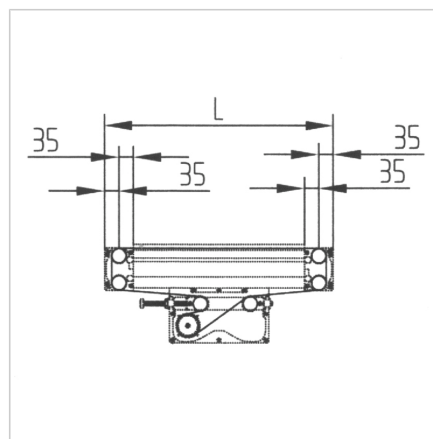
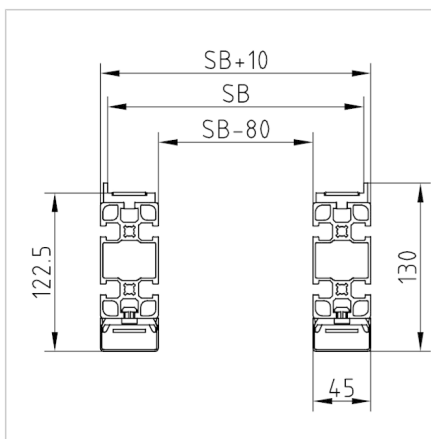


## BASE TRACK L= WITH OUT DRIVE UNIT AND PULLEYS

Code: 430020/0

[Link to the product →](#)



### Technical data/items supplied

- Profile 45 x 90F, anodized, E6/EV1
- Sliding strip made of PE, black, extremely abrasion resistant, L max: 2 m
- Cover profile for belt return with clip fastening
- Timing belt for drive (transport belt)
- Spreading width (SB): universal
- Route length = L-140 mm
- Track length min. 270 mm
- Track length min. 4000 mm

### Applications

- Implementation in all TSG transfer systems
- Max. track load depending on drive concept
- When exceeding the total load per section, please divide into several sections
- Calculation formula for timing belt length: (Timing belt included in scope of supply)  
Timing belt length  $(L - 70) \times 2 + 473$  mm round up to 5 mm pitch

### Assembly

- Screw the basic distance with supports
- After attachment of drive unit, diversions and timing belts, clip cover profile onto underside of profile
- Free profile grooves for attaching stoppers, sensors, switches, ect. With standard screws