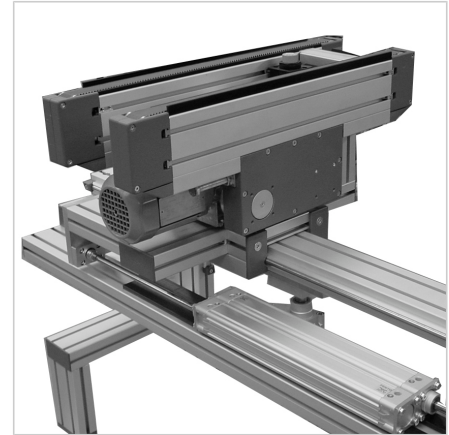
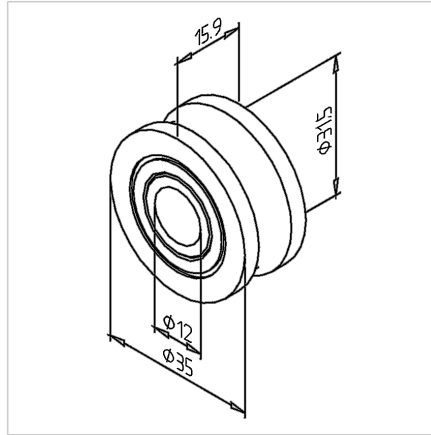
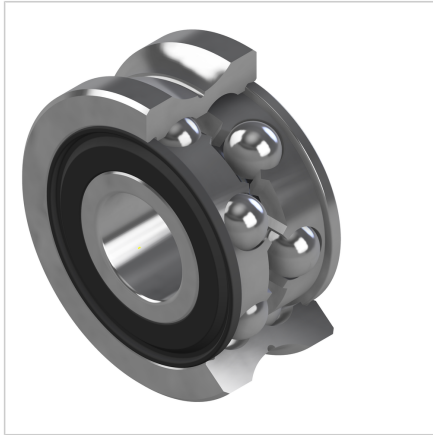


## BEARING LR12

Code: 280001/0

Ball bearing LR 12 for MiniTec linear guides, suitable for precise guidance and compensation of misalignments in parallel linear systems.

[Link to the product →](#)



### Technical data/items supplied

- Steel, hardened, polished
- 2-row angular ball bearing, wave groove executed as Gothic arch
- For shaft  $\varnothing$  12 mm
- Rated loads:  
dyn. C = 10.5 kN  
stat. C<sub>0</sub> = 6.0 kN
- Stainless version **part no.** 280001/1
- Weight = 0.068 kg/piece

### Applications

- All MiniTec-linear guides LR 12

### Assembly

- Fastening kit LRK **part no.** 280021/0 or LRE **part no.** 280022/0