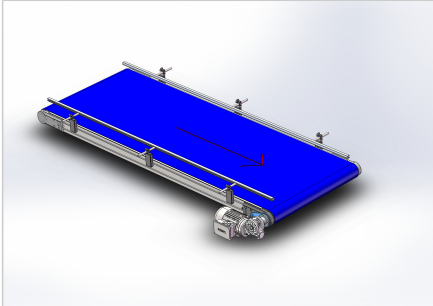


## BELT CONVEYOR D95

Code: 3002619/0

Dimensions, materials, drives, and additional equipment according to preferences and requirements.

[Link to the product →](#)



### Technical data/items supplied

- Length and width made to order,
- standard speed 8 m/min or as agreed,
- conveyor belt PVC, PU, or as agreed,
- 3-phase 380 V electric motor with drive,
- additional equipment or configuration as agreed.