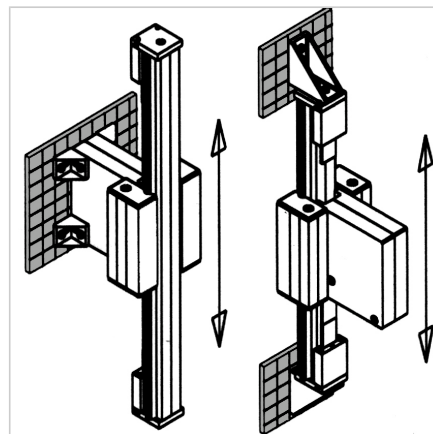
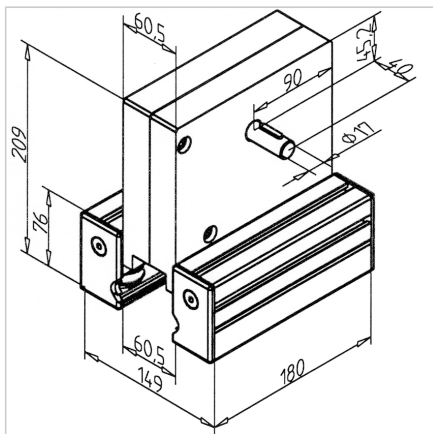


BELT DRIVE 45

Code: 280248/0

Timing belt drive 45 for linear guides with long travels and Z-axis for precise and reliable motion transmission.

[Link to the product →](#)



Technical data/items supplied

- Guide the timing belt through the timing belt drive, slide it onto the rail and adjust it without play
- Fix timing belt end to rail end with timing belt tensioner **part no. 280090/0** and fastening plate for rail 45 **part no. 280054/0** or for rail 45 x 90 H **part no. 280056/0**
- Tighten the timing belt
- Belt length: Rail length + 212 mm

Applications

- MiniTec linear guides LR with extremely long travels, z-axis
- Use with rail 45, 45 x 90 H, 45 x 135 H and 45 x 180 H

Assembly

- Guide the timing belt through the timing belt drive, slide it onto the rail and adjust it without play
- Fix timing belt end to rail end with timing belt tensioner **part no. 280090/0** and fastening plate for rail 45 **part no. 280054/0** or for rail 45 x 90 H **part no. 280056/0**
- Tighten the timing belt
- Belt length: Rail length + 212 mm