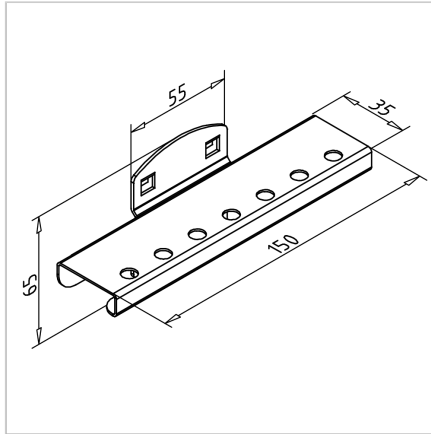
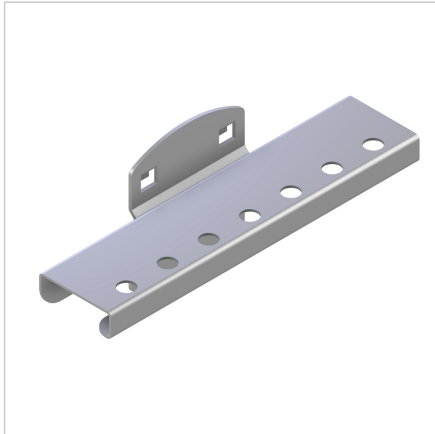


## BIT HOLDER

Code: 320503/0

Bit holder allows tidy arrangement, easier inventory control, and efficient use of space.

[Link to the product →](#)



### Technical data/items supplied

- Steel, Pressure die-casting, powder-coated, grey
- Aluminum colored
- Plastic coated
- Individually packaged incl. screws
- Weight = 0.140 kg/piece

### Applications

- Bit holder for bits 7x Ø 7.2mm

### Assembly

- Hook in the carrier plate and secure with the enclosed screw