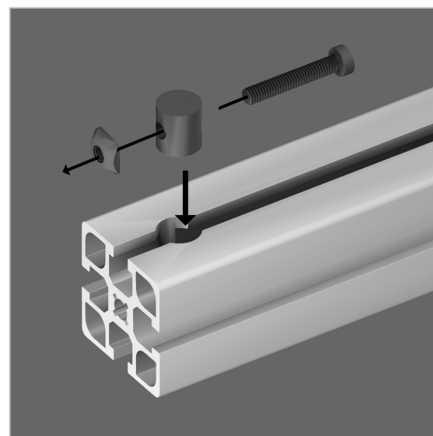
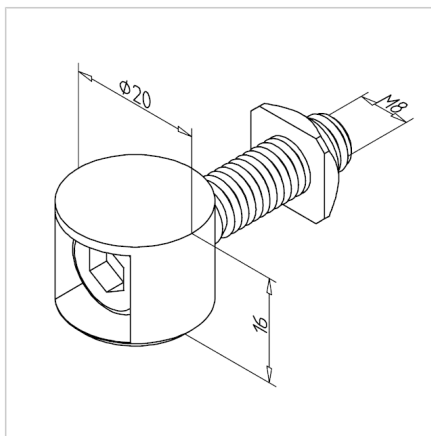
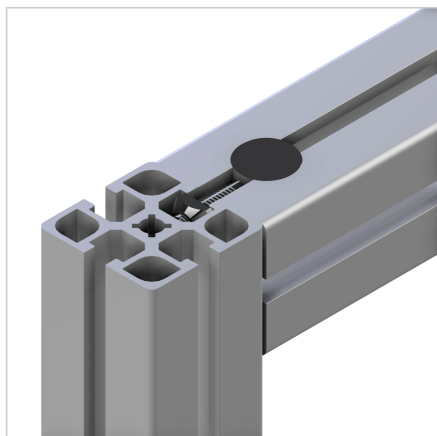


## BOLT FASTENER 20

Code: 211021/0

Bolt connector 20 for profiles series 45, ideal for retrofitting additional profiles onto supports in existing aluminum constructions.

[Link to the product →](#)



### Technical data/items supplied

- Zinc, Pressure die-casting, galvanized
- With fastening material steel, zinc plated
- Weight = 0.036 kg/piece

### Applications

- For connecting all profiles of the profile series 45
- Especially for post-mounting of additional profiles in existing constructions
- For connection of profile 45 x 19

### Assembly

- Insert the stepped bore  $\phi 7 \times 20$ , 16 mm deep, positioned 22.5 mm from the end of the profile to the center of the groove
- Insert the connector and pre-tighten the screw with the ball head wrench SW 5
- Fastening with Allen wrench
- Recommended locking torque: 15 Nm