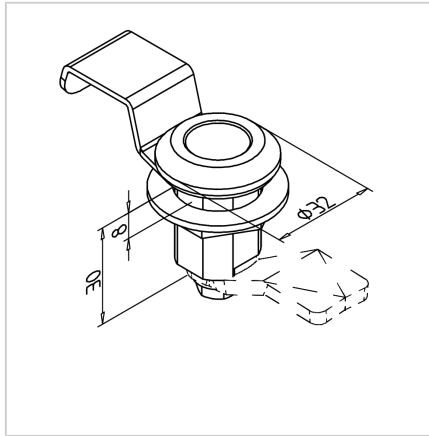


## BOLT LOCK 19 FOR SOCKET HEX HEAD WRENCH

Code: 211479/1

[Link to the product →](#)



### Technical data/items supplied

- For Allen wrench SW 10
- With fastening nut steel, galvanized
- With opening bracket, steel, black
- Without locks
- Weight = 0.093 kg/piece

### Applications

- For profiles 19
- Locking of doors and lids in guard units