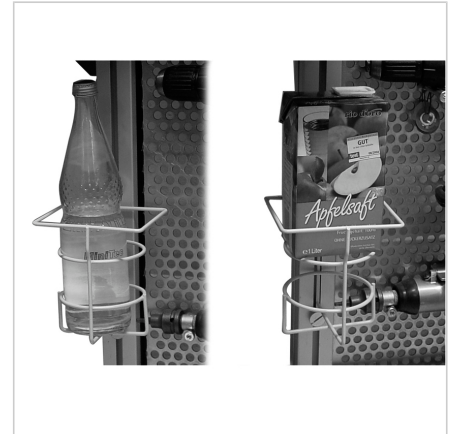
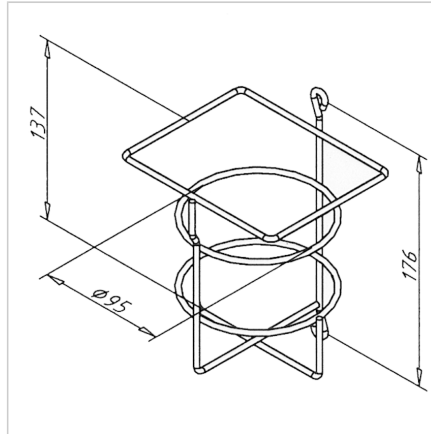
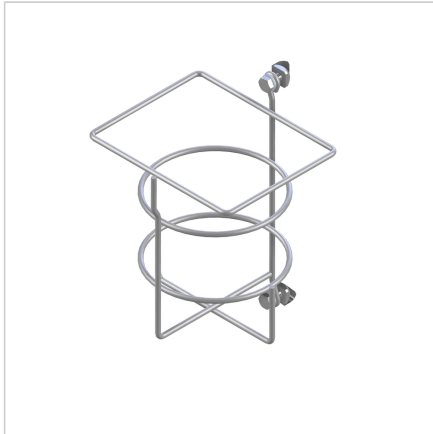


BOTTLES/DRINK CARTON HOLDER

Code: 320507/0

Drink holder offers stable support, easy access, and a more organized workspace.

[Link to the product →](#)



Technical data/items supplied

- Steel wire, coated light grey
- Inside \varnothing 95 mm
- 2 screws M6 x 16
- 2 square nuts M6 with spring plate
- Weight = 0.195 kg/piece

Applications

- Commercially available beverage bottles and beverage bags

Assembly

- Screw down with fastening material