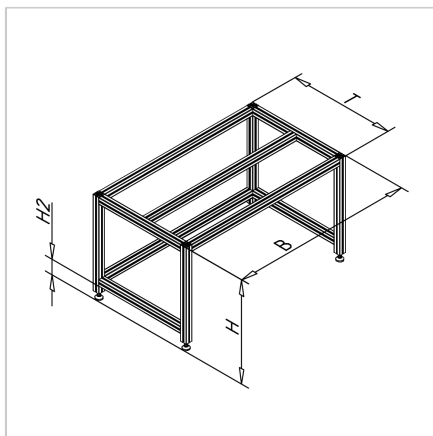


## BOX TABLE L VARIABLE

Code: 320111/0

Workbench frame provides a stable, modular base, perfect for customized workstations and ergonomic workplace solutions.

[Link to the product →](#)



### Technical data/items supplied

- Hinged feet PA - M10 Ø45, as floor levelling, height adjustable
- Frame mounted with MiniTec power-lock fasteners
- Without tabletop
- **Please specify desired dimensions B, T and H**
- Max. dimensions: B=2000 mm, T=1000 mm
- Standing workplace (without table top): H = 878 mm
- Seated workplace (without table top): H = 678 mm
- OPTIONAL: 3-part visual protection, chipboard 8 mm, light grey
- **higher loading capacity on request**