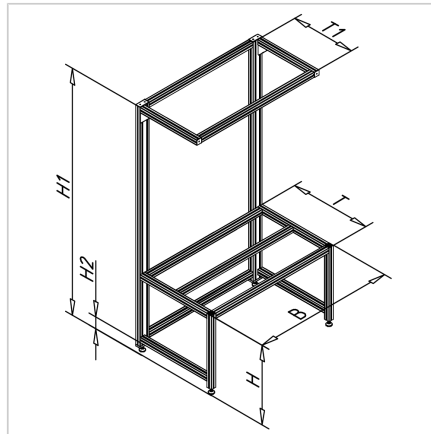


BOX TABLE S WITH PORTAL CONSTRUCTION VARIABLE

Code: 320113/0

Workbench with gantry structure allows flexible tool placement, improved material visibility, and optimal space utilization.

[Link to the product →](#)



Technical data/items supplied

- Aluminium, anodized E6/EV1
- **Please specify the required dimensions B, T, T1, H, H1 and H2**
- Hinged feet PA - M10 Ø45, as floor levelling, height adjustable
- Frame mounted with MiniTec power-lock fasteners
- Without tabletop
- Has a **reinforced portal structure** and can be loaded more heavily with a table width of 2000mm.