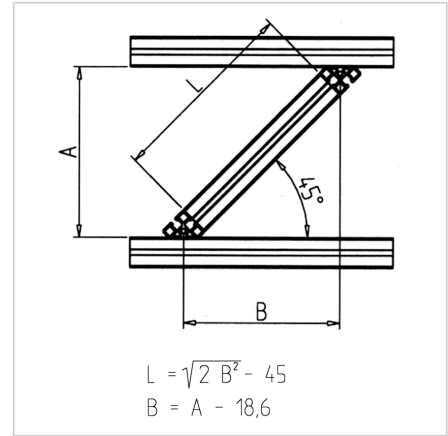
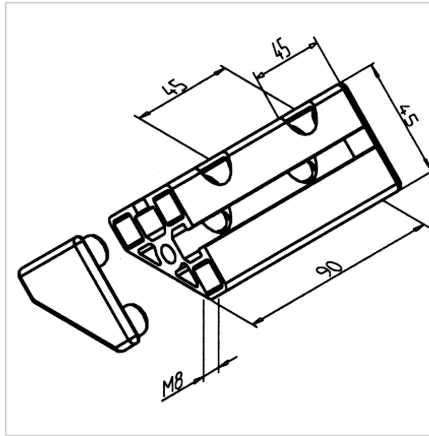
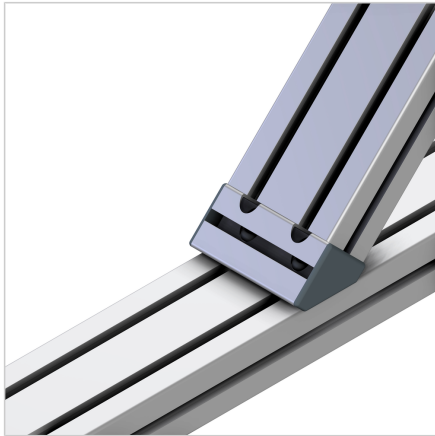


BRACE SOCKET 45° L=90 MM

Code: 211727/0

[Link to the product →](#)



Technical data/items supplied

- Aluminium, anodized E6/EV1
- From profile 45/45°
- With fastening material steel, zinc plated
- With caps, grey
- For use on vertical struts, strut socket **part no. 211727/4** (square nuts with position-fixing)
- Weight = 0.175 kg/piece

Applications

- Bracing in the composite structure

Assembly

- Screw the brace socket onto the frame
- Insert supports by means of Minitec power-lock fasteners and tighten
- Install caps