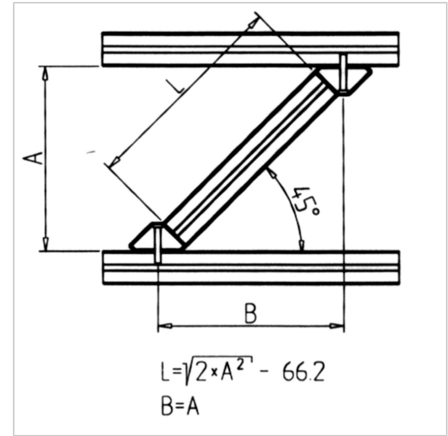
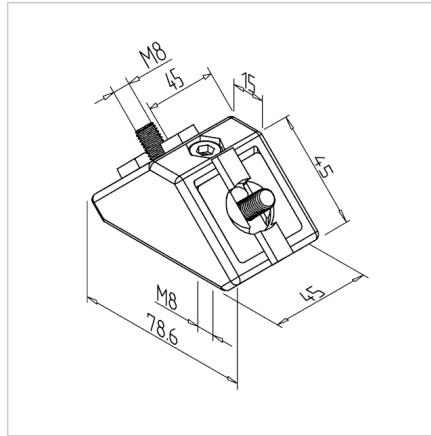
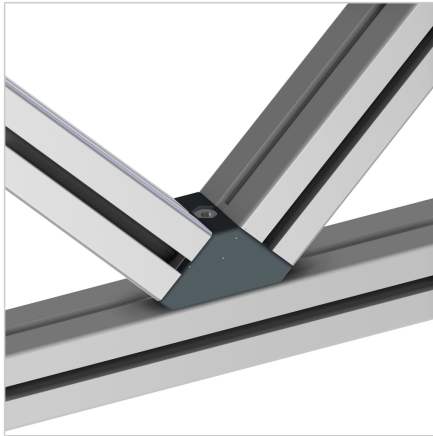


## BRACE SOCKET GD

Code: 211729/0

[Link to the product →](#)



### Technical data/items supplied

- Aluminium, Pressure die-casting, powder-coated, grey
- With fastening material steel, zinc plated
- For use on vertical struts, strut socket
- **part no. 211729/7** (square nuts with position-fixing)
- Weight = 0.261 kg/piece

### Applications

- Bracing in the composite structure

### Assembly

- Pre-assemble brace base and place in frame
- Screw the brace socket onto the frame