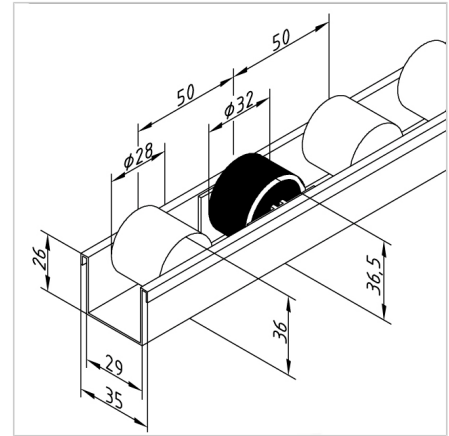
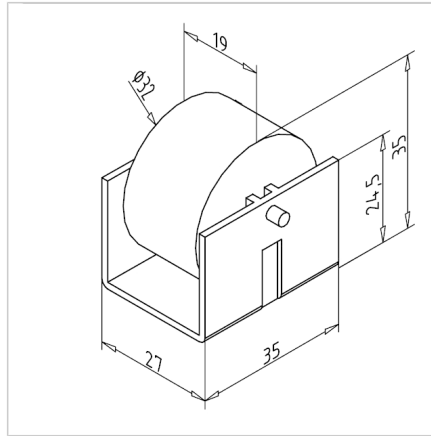
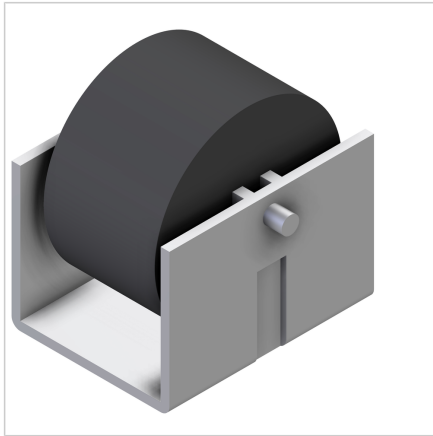


## BRAKE ROLLER FOR ROLLER BAR HOLDER + ROLLER

Code: 320562/0

[Link to the product →](#)



### Technical data/items supplied

- Plastic, black
- Weight = 0.022 kg/set

### Applications

- For use with roller strip with a slope, for braking the conveyed material

### Assembly

- Remove the existing rollers from the roller strip
- insert support at the same place and clip brake-roller in
- When installing, pay attention to the direction of the bracket and the miniature rollers