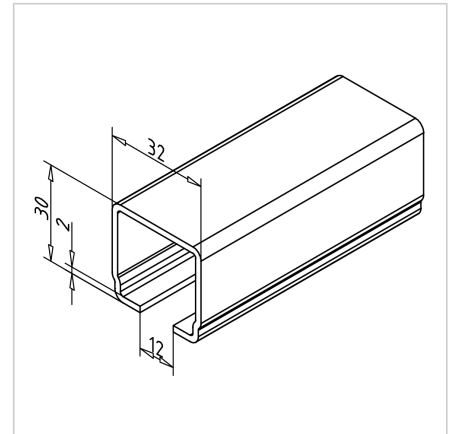
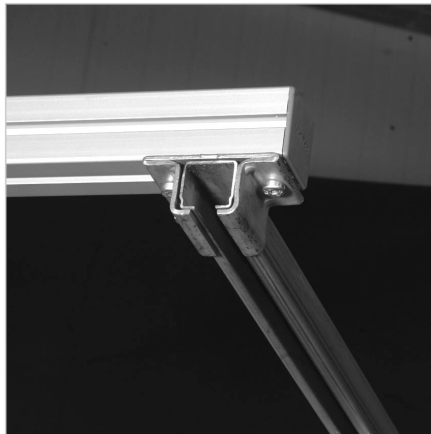
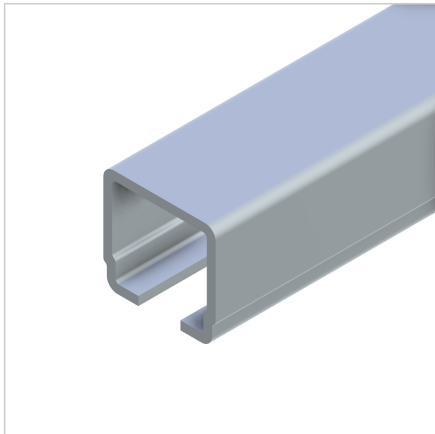


C-SECTION RAIL 30

Code: 320220/0

C-profile 30 is a guide profile that ensures reliable reception and smooth movement of trolleys for heavy tools and cable systems.

[Link to the product →](#)



Technical data/items supplied

- Steel, galvanized
- $I_x = 2.42 \text{ cm}^4$
- $I_y = 1.45 \text{ cm}^4$
- $w_x = 3.802 \text{ cm}^3$
- $w_y = 2.821 \text{ cm}^3$
- $IT = 6.623 \text{ cm}^4$
- ESD-compatible
- Weight = 1.560 kg/m
- Bar length = 6 m

Applications

- Reception and guide of cable trolleys
- Reception and guide of tool trolleys to provide heavy tools

Assembly

- Attach to portal structure with rail holder **part no. 320222/0**