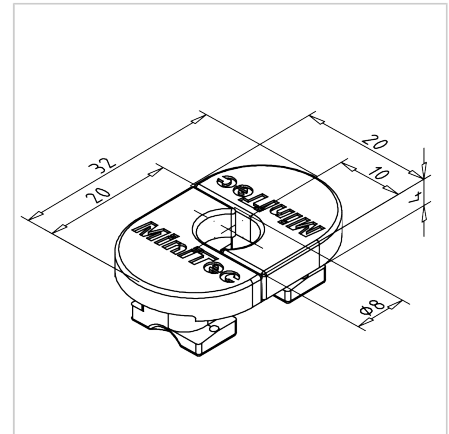
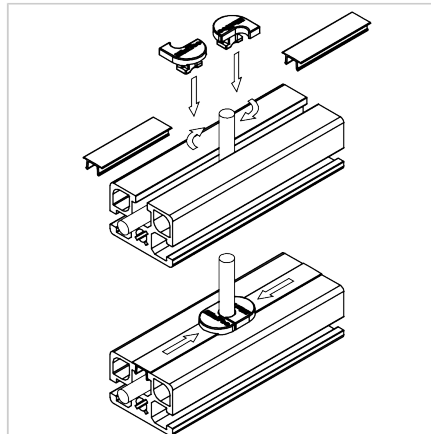


## CABLE CLAMP 45

Code: 221270/0

Durable cable clamp for secure fastening of cables, hoses, and ducts in aluminium profiles of the 45 series. Easy installation and reliable hold.

[Link to the product →](#)



### Technical data/items supplied

- ABS, Injection Mould, grey
- The cable clamp (2-part) consists of 2 identical components
- Weight = 0.028 kg/pair

### Applications

- For fixing cables and hoses laid in the profile groove
- For cables up to 8 mm diameter
- Please note the bending radius of the cables
- Use with all profiles of the 45 profile series

### Assembly

- Swing both parts to the left and right of the cable into the profile groove, then push them together.
- An open-ended spanner SW 21 can be used for easier swinging in
- When using cover profiles to close the grooves, this can be pushed under the cable clamp approx. 4 mm deep