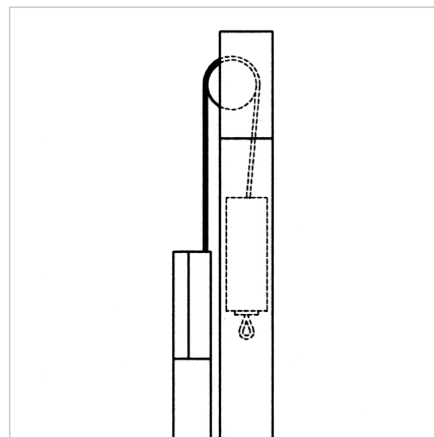
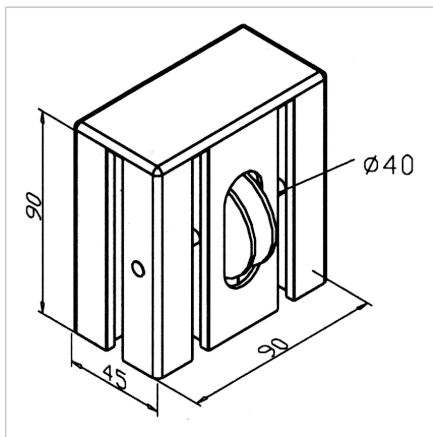
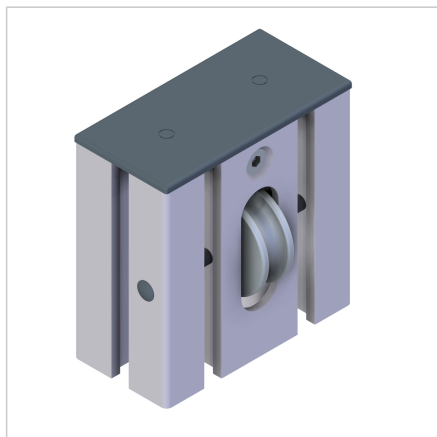


CABLE PULLEY 45

Code: 211775/0

Cable Pulley 45 for chain redirection on lift doors, ideal for counterweight compensation and heavy load applications.

[Link to the product →](#)



Technical data/items supplied

- Aluminium, anodized E6/EV1
- Housing from profile 45 x 90
- Pulley steel, galvanized, installed ready for assembly
- End cap
- maximum weight of the lifting door with paired insertion of the pulley, 12kg
- Weight = 0.522 kg/piece

Applications

- Chain reverse unit of counterweights on lifting doors, for internal compensation weight in profile 45 x 90 L or 45 x 90 G
- For continuous movement and larger loads use >12 Kg chain redirector 45

Assembly

- Attachment to the stand profile with 2 terminal strips 90 **part no. 211029/0**
- Associated rope **part no. 211777/0** is consumable and must be checked regularly and lubricated if necessary