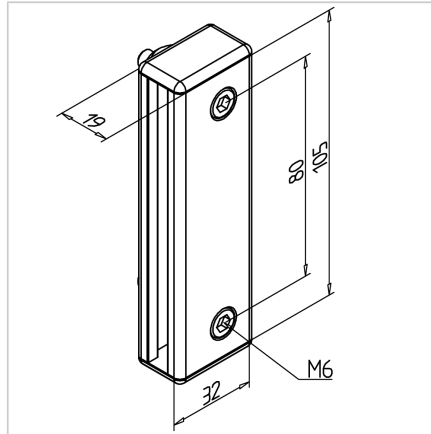


CATCH 19

Code: 211755/0

Lock plate for secure attachment and smooth latch closing in aluminum constructions.

[Link to the product →](#)



Technical data/items supplied

- Aluminium, anodized E6/EV1
- From profile 19 x 32
- End caps
- With fastening material steel, zinc plated
- Weight = 0.040 kg/piece

Applications

- Locking of doors and lids in connection with handles or bolt locks

Assembly

- Fasten to the posts with supplied hardware