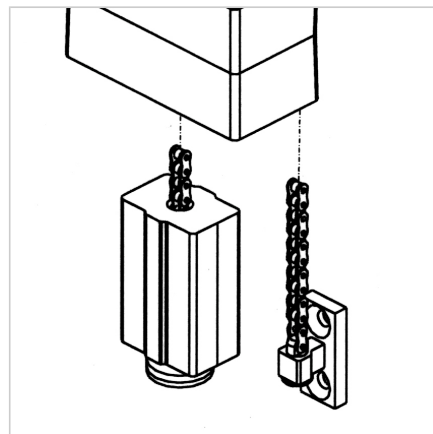
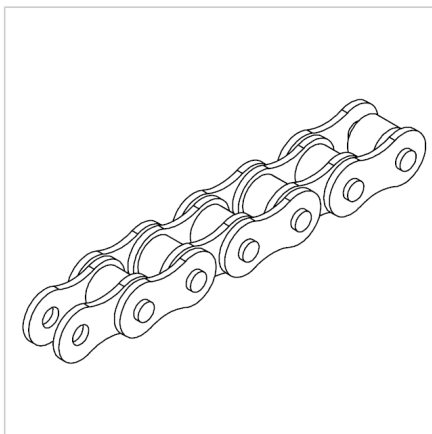


## CHAIN 04

Code: 211713/0

Roller chain 04 for reliable power transmission and motion transfer in industrial machinery and aluminum structures.

[Link to the product →](#)



### Technical data/items supplied

- Steel
- Size 4
- **Please indicate desired length**
- Breaking force min. 3000N
- Weight = 0.150 kg/m

### Applications

- Use in conjunction with balancing weight 45 or 90 and chain reverse unit
- Use in conjunction with chain clamping door **part no. 211712/0** for attaching the chain to the door side
- Use in conjunction with chain clamp weight **part no. 211711/0** for attaching the chain to the balance weight

### Assembly

- Guide the chain through the balance weight and guide the chain clamp to the weight **part no. 211711/0** and install the chain lock
- When mounted on door, chain by mounted chain clamp door **part no. 211712/0** and install bolt with chain lock