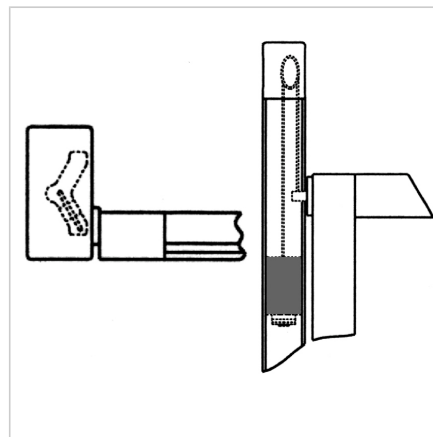
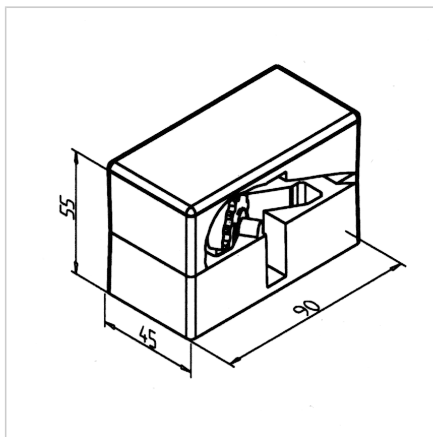
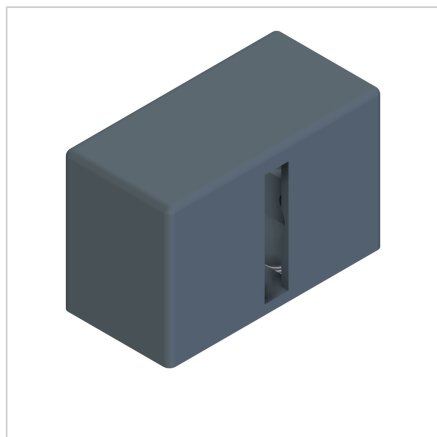


## CHAIN PULLEY 45 I

Code: 211840/0

Chain pulley 45 I for efficient chain guidance along the profile with easy installation.

[Link to the product →](#)



### Technical data/items supplied

- Aluminium, Pressure die-casting, powder-coated, grey
- Sprocket galvanized steel, ready for installation
- End cap
- With fastening material steel, zinc plated
- Maximum weight of the lifting door with paired insertion of the pulley, 50 kg
- Weight = 0.350 kg/piece

### Applications

- Chain reverse unit of counterweights on lifting doors, for internal compensation weight in profile 45 x 90 F or 45 x 90 G

### Assembly

- Install with supplied hardware, insert thread M8 into the stand profile
- Use of chain 04 **part no. 211713/0** with chain clamp door **part no. 211712/0** and chain clamping weight **part no. 211711/0**
- Chain runs on the broad side of the profile in the right or left profile groove (adjustable chain wheel), no hand-protection required