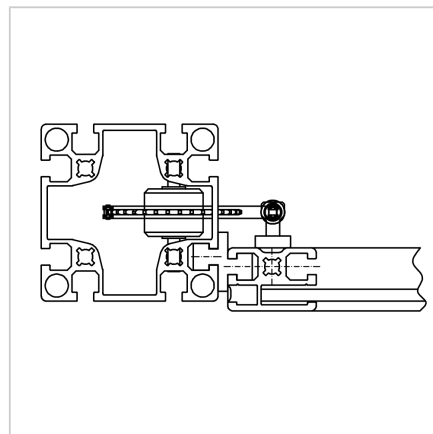
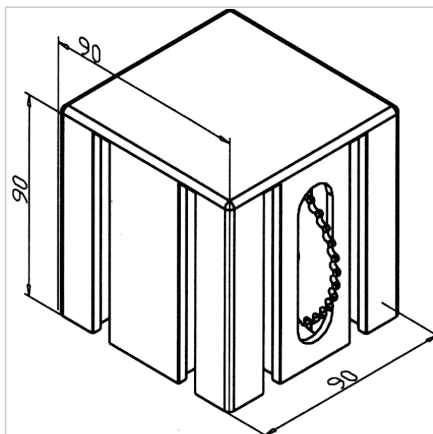
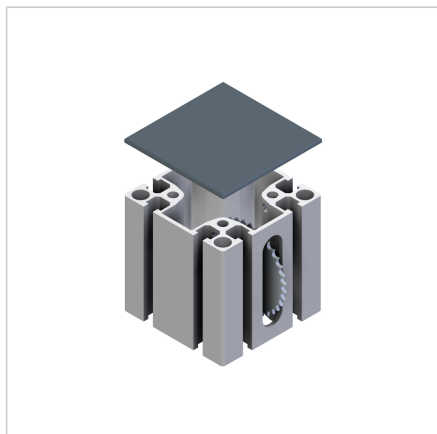


## CHAIN PULLEY 90

Code: 211839/0

Chain pulley 90 for reliable guided chain movement on the profile surface, with optional hand protection.

[Link to the product →](#)



### Technical data/items supplied

- Aluminium, anodized E6/EV1
- Housing from profile 90 x 90
- Sprocket galvanized steel, ready for installation
- End cap
- maximum weight of the lifting door with paired insertion of the pulley, 70 kg
- Weight = 0.680 kg/piece

### Applications

- Chain reverse unit of counterweights on lifting doors, for internal balancing weight in profile 90 x 90 L

### Assembly

- Attachment to the stand profile with 4 terminal strips 90 **part no. 211029/0**
- Use of chain 04 **part no. 211713/0** with chain clamp door **part no. 211712/0** and chain clamping weight **part no. 211711/0**
- Chain runs outside center on profile surface, if necessary with hand protection **part no. 211780/0** cover