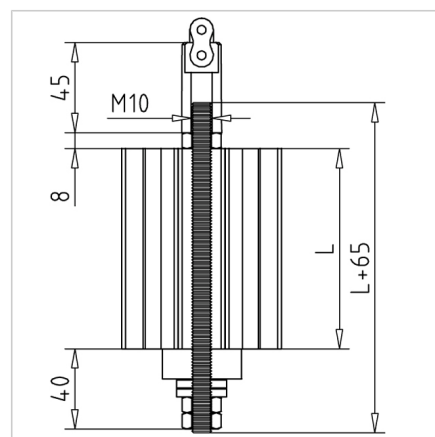
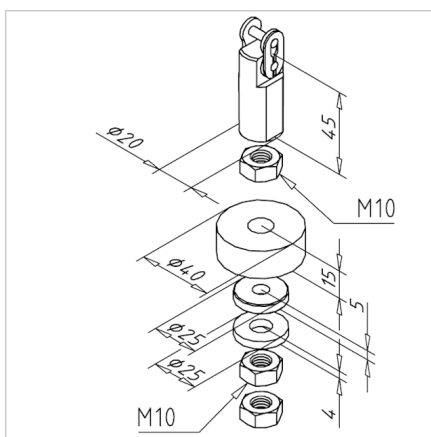


CHAIN PULLEY WEIGHT S FOR CHAIN PULLEY 90S

Code: 210925/0

Chain clamping weight S ensures precise chain tensioning and secure attachment in aluminum profile door systems for reliable operation.

[Link to the product →](#)



Technical data/items supplied

- Steel, galvanized
- Rubber-ring
- Chain lock
- Please threaded rod M10 **part no.** [211667/0](#) order additionally in the desired length
- Weight = 0.145 kg/piece

Applications

- Use in connection with roller chain 08 and balancing weight 45 or 90
- Length of the threaded rod = length of the weight +65 mm

Assembly

- Guide the threaded rod through the weight
- Attach the components included at both ends
- Connect threaded rod with enclosed chain lock chain