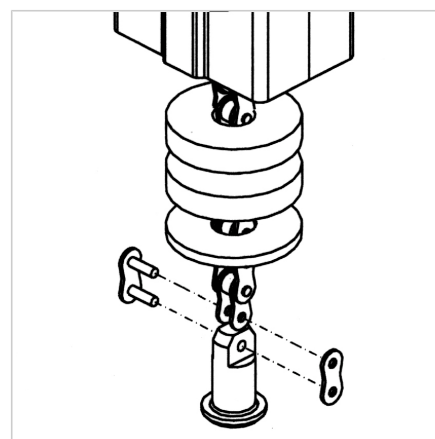
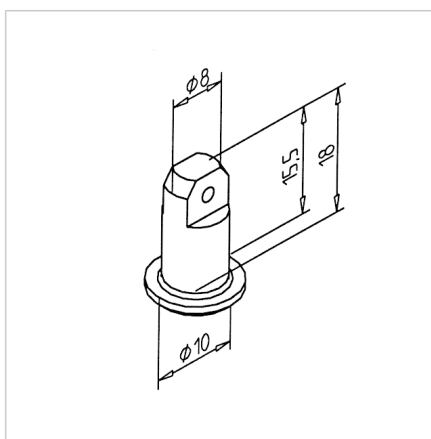


## CHAIN PULLEY WEIGHT

Code: 211711/0

Chain clamping weight ensures precise chain tensioning and secure attachment in aluminum profile door systems for reliable operation.

[Link to the product →](#)



### Technical data/items supplied

- Steel, galvanized
- Rubber-ring
- Chain lock
- Weight = 0.015 kg/piece

### Applications

- Use in conjunction with balancing weight 45 or 90 and chain reverse unit
- Use in conjunction with chain 04 **part no.** [211713/0](#) for attaching the chain to the balance weight

### Assembly

- Guide the chain through the balance weight and guide the chain clamp to the weight **part no.** [211711/0](#) and install the chain lock
- When mounted on door, chain by mounted chain clamp door **part no.** [211712/0](#) and install bolt with chain lock