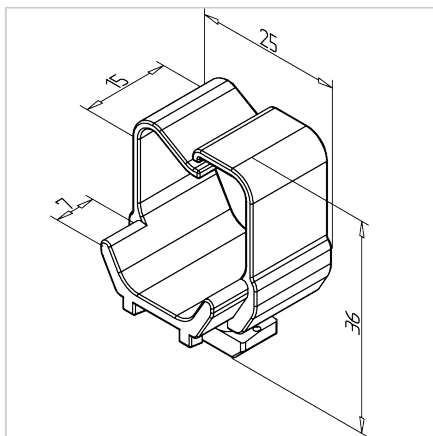
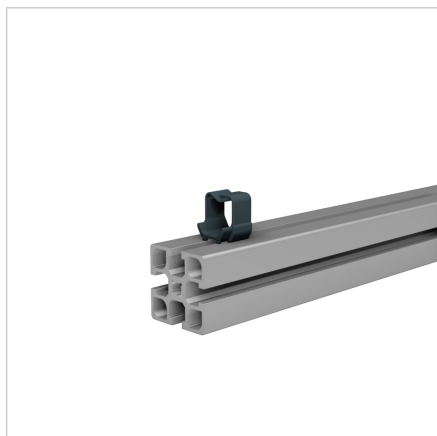


## CLAMP 27-45 C

Code: 221216/0

Inner angle for conduit 27 for profiles series 45, providing secure and stable corner connections in aluminum constructions.

[Link to the product →](#)



### Technical data/items supplied

- PP, Injection Mould, grey
- Weight = 0.004 kg/piece

### Applications

- Simple and rational fastening of cables and pneumatic hoses
- Fixing of cable canal 27 AL and cable canal 90 AL
- Use with all profiles of the 45 profile series
- Preferably to be used for laying cables and hoses overhead or for frequent changes to the installation.

### Assembly

- Insert in profile groove and fix by 90° rotation
- Simply clip cables and hoses up to 8 mm diameter into the clamp. Removal is also possible
- If necessary, fasten cables with cable ties. Thread the cable ties into the end of the clamp (7mm) and tighten