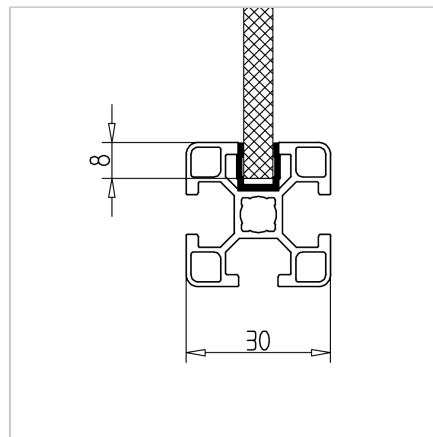
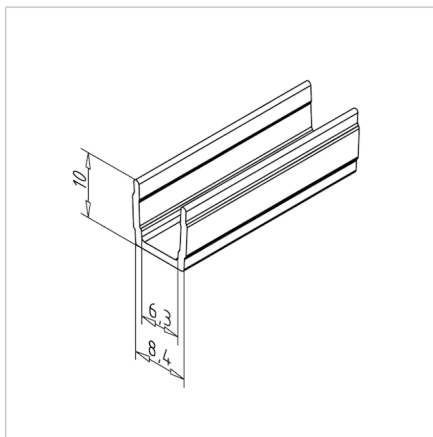
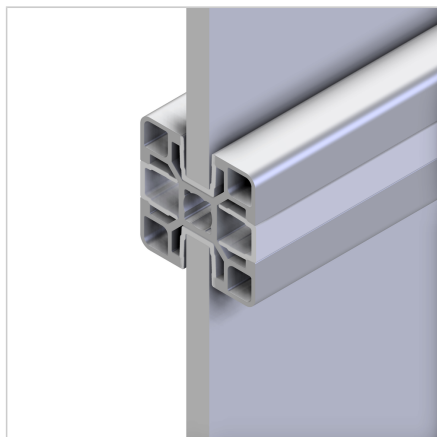


CLAMP/COVER PROFILE 30 LIGHT GREY L=2m

Code: 221161/2

Cover profile 30 in light grey for aesthetic and protective finishing of aluminium profiles in series 30.

[Link to the product →](#)



Technical data/items supplied

- PVC, extruded, grey
- Colour: light grey similar to RAL 7035
- Weight = 0.040 kg/m
- Bar length = 2 m

Applications

- Mounted with groove inwards: For closing profile grooves
- **Mounted with the groove to the outside:**
For the absorption of surface elements up to 6 mm thickness, dimensional compensation by silicone or sponge rubber cord **part no.** 22.1102/0

Assembly

- Press or slide into the profile groove