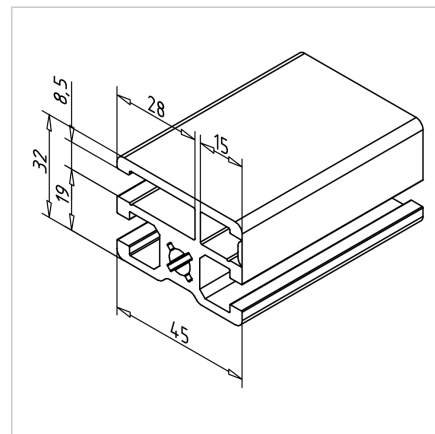
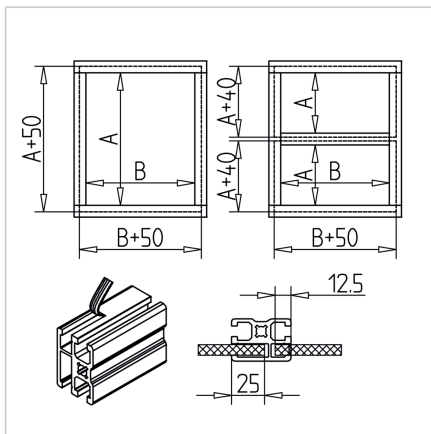
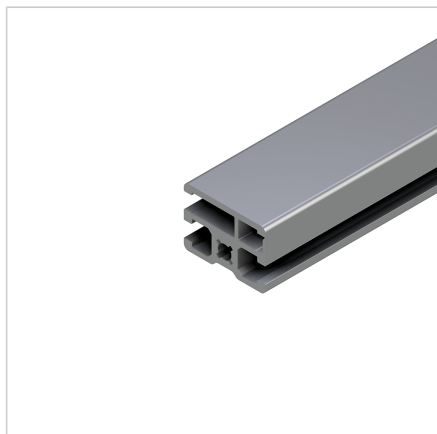


CLAMPING PROFILE 45X32

Code: 201053/0

Alu profile 45 x 32 for industrial use. Explore our aluminium profile system - strong, modular, and easy to assemble.

[Link to the product →](#)



Technical data/items supplied

- Aluminium, extruded, anodized E6/EV1
- $I_x = 6.465 \text{ cm}^4$
- $I_y = 9.521 \text{ cm}^4$
- $w_x = 3.999 \text{ cm}^3$
- $w_y = 4.119 \text{ cm}^3$
- $IT = 15.996 \text{ cm}^4$
- Weight = 1.615 kg/m
- Bar length = 6 m
- Packing unit = 48 m

Applications

- In the case of larger guard units, intermediate struts made of clamping profile 45 x 32 must be used in order to ensure adequate safety against pushing out of the surface elements; To do this, remove cover strips on clamping profile 45 x 32 mm
- All types of safety equipment
- For clamping of surface elements, such as woven mesh, panels, plates with a maximum strength of 8 mm
- Cut size of surface elements: Dimension A/B - 40/50 mm depending on application

Assembly

- MiniTec power-lock fastener; no bores required
- No release of panel element corners required
- Pre-assemble tripartite frame
- Insert panel element and install last profile brace
- Press in the distance profile **part no. 221039/0** on the inside or drive in with a flat tool
- For panel elements < Mount 6 mm with matching insert seal or < Mount 4 mm with spacer profile and additionally suitable plug-in seal on the opposite side