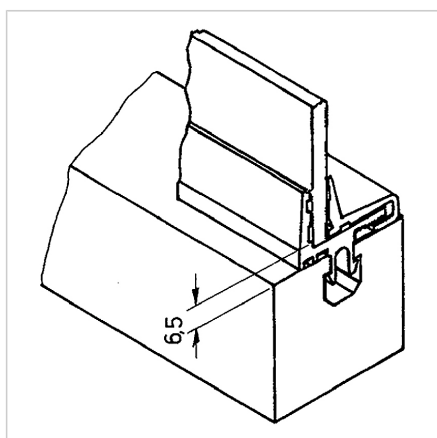
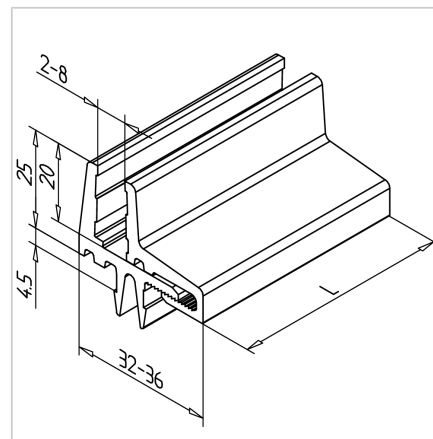
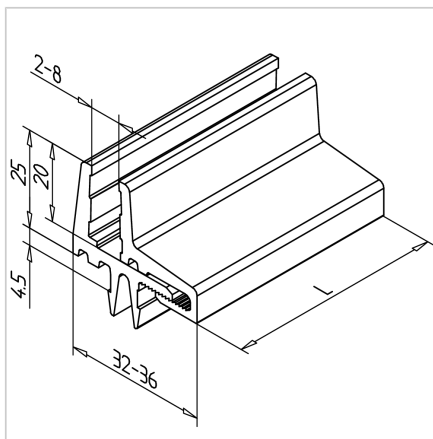
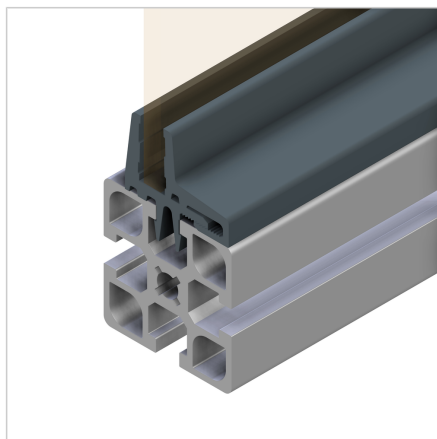


CLAMPING PROFILE PVC GREY L=2m

Code: 221092/0

[Link to the product →](#)



Technical data/items supplied

- PVC, extruded, grey
- On request also available in black, **part no. 221080/0**
- Weight = 0.550 kg/m
- Bar length = 2 m

Applications

- Fixation surface elements with a maximum strength of 8 mm
- For surface elements smaller than 4 mm, a moss rubber strip must be inserted
- Windows, doors
- No free space between profile and panel element
- Also suitable for corrugated mesh

Assembly

- Snap socket half into profile groove
- Insert the panel element
- Press clamping half firmly on socket half
- To install surface elements less than 4 mm thick, the insertion of an additional sponge rubber strip or similar is recommended, e.g. our flat sponge rubber tape 10x3 mm, self-adhesive **Part no. 22.1129/0**