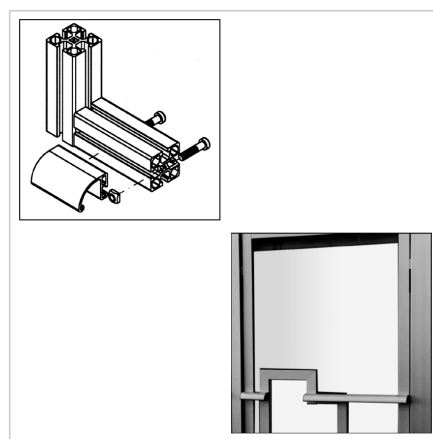
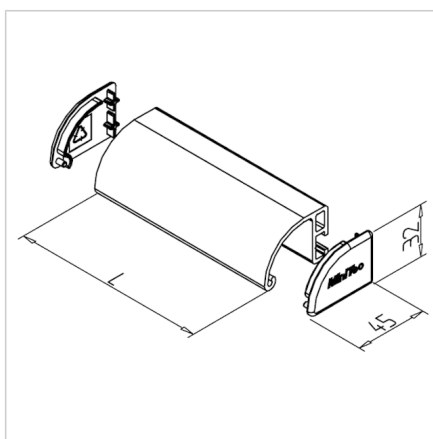
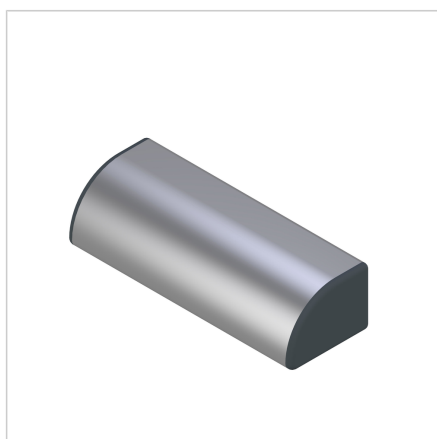


CLOSE PROTECTIVE HANDLE, VARIABLE

Code: 211048/9

Closed protective handle with customizable length on request, ensuring safe and comfortable operation of doors and protective units from aluminium profiles.

[Link to the product →](#)



Technical data/items supplied

- Aluminium, anodized E6/EV1
- End caps
- Without fastening kit
- **Please specify dimension L**

Applications

- Doors
- Lids
- Guard units
- Furniture

Assembly

- Push the square nuts into the groove on the handle and fix with corresponding screw from the back
- Alternative:
Drill hole in handle and fix from the front with short hex kant key and cylinder screws or hex head screws