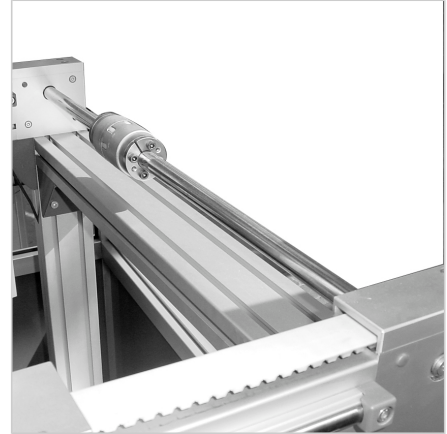
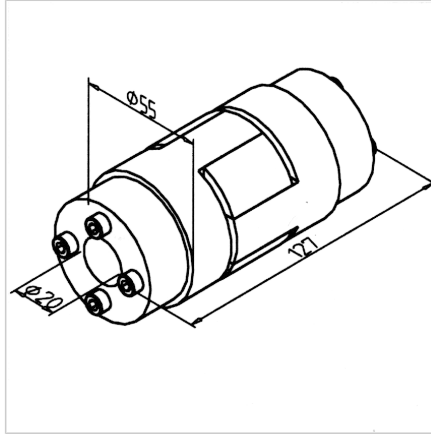


CLUTCH 20

Code: 280180/0

Clutch 20 for reliable torque transmission between motors and mechanical units in linear systems.

[Link to the product →](#)



Technical data/items supplied

- Clutch, steel with plastic inlay
- 2 tensioning sets, steel
- Max. torque 30Nm
- Weight = 0.984 kg/piece

Applications

- Connection of motors to reverse unit
- Misalignment compensation with simultaneous drive of 2 parallel linear axes with connection shaft 45 **part no. 171706/0** or 90 **part no. 171706/1**

Assembly

- Attachment with integrated tensioning device
- Adjust the axes synchronously and fasten clamping sets