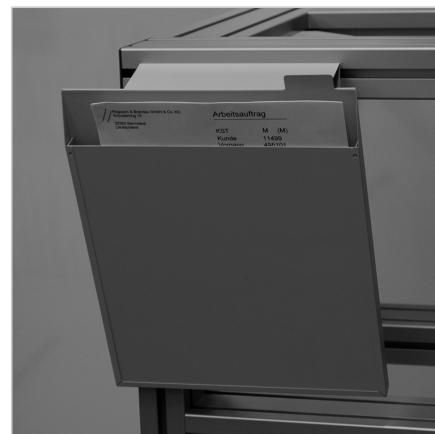
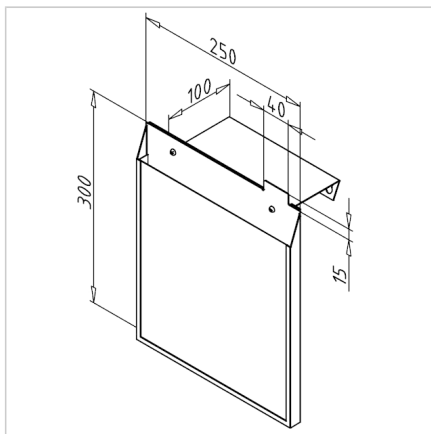


COMPARTMENT BASE ELEMENT FOR DIN A4 PORTRAIT

Code: 320615/0

Document holder allows quick viewing of papers, easy access, and improved organization of the workspace.

[Link to the product →](#)



Technical data/items supplied

- Steel light grey, powder coated
- With fastening bores $\varnothing 9$, spacing 160 mm
- Optical edge 45 mm for optimum overview
- Filling capacity = 15 mm, sufficient for approx. 120 sheets of paper
- With grey closing plate
- Transparent vertical document tray (front panel)
- Weight = 0.634 kg/piece

Applications

- For size DIN A4 documents

Assembly

- Fasten to the portal structure
- Any time expandable with **part no.** [320616/0](#)
- Extract the front panel during extension and attach it to the last extension element again