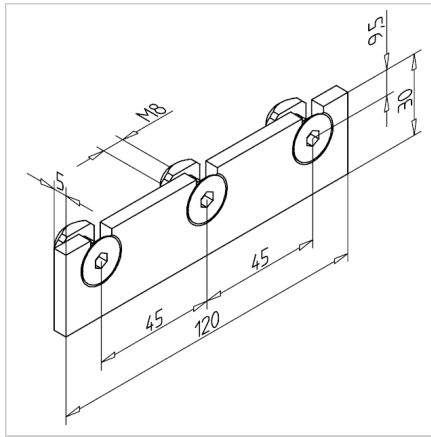
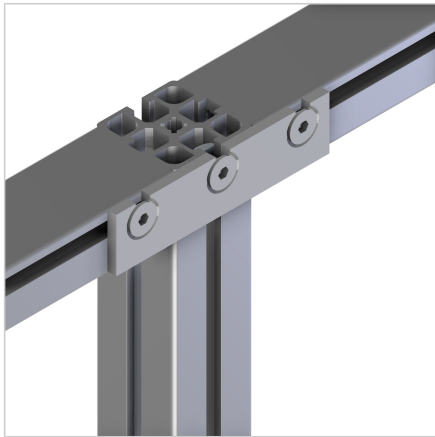


## CONNECTING BAR

Code: 211113/0

Connecting bar for joining different aluminium profiles and retrofitting. Easy to use for flexible and adjustable constructions

[Link to the product →](#)



### Technical data/items supplied

- Steel, galvanized
- With fastening material steel, zinc plated
- Weight = 0.156 kg/piece

### Applications

- Connection of different profiles
- Retrofitting profiles

### Assembly

- Fasten to profile groove with supplied hardware
- No machining required