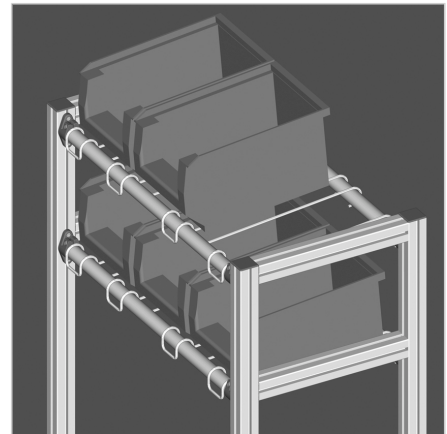
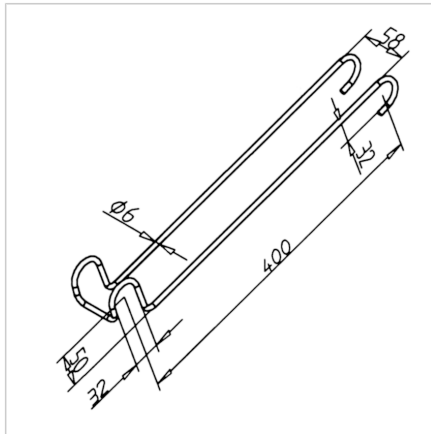
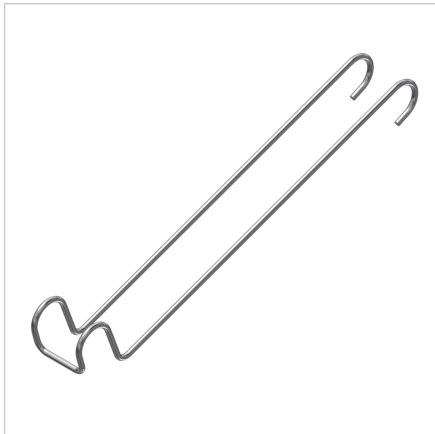


## CONTAINER HOLDER 32-400

Code: 320306/0

Box holder 32-400 allows systematic depositing of semi-open front and storage containers, enabling easy handling at the workplace.

[Link to the product →](#)



### Technical data/items supplied

- Steel, galvanized
- Without fastening kit
- Weight = 0.268 kg/piece

### Applications

- As depositing rack for semi-open front containers and storage containers

### Assembly

- Simply hooked into handle profile 32 from both sides
- Recommended: If required, secure laterally against sliding of snap bolt 25 **part no. 211758/0**