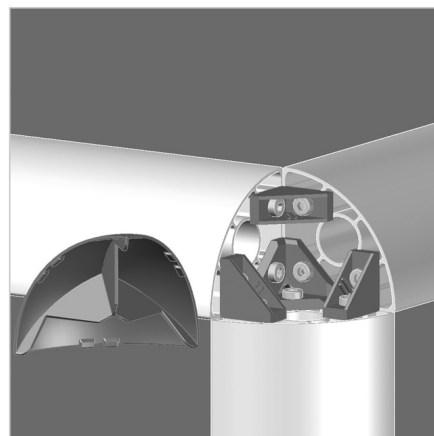
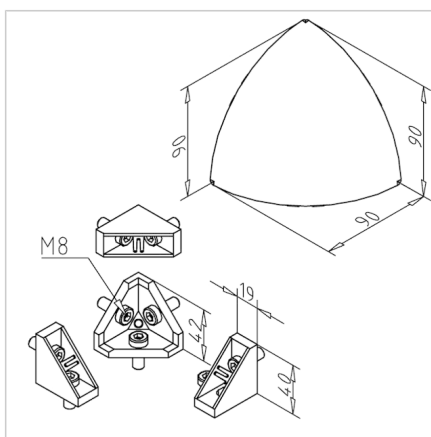
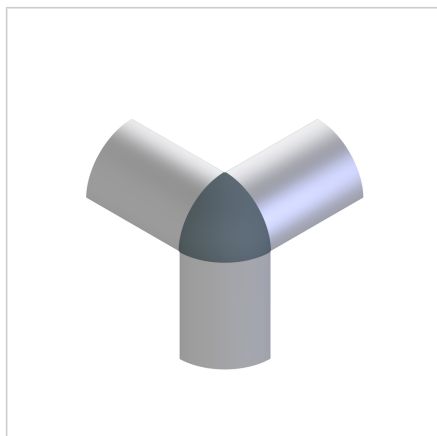


## CORNER CONNECTION 90 R 90°

Code: 212199/0

Mounting angle 90 R 90° for secure angled aluminium profile connections without machining. Enhances precision, durability, and assembly flexibility.

[Link to the product →](#)



### Technical data/items supplied

- Aluminium, Pressure die-casting, bright
- With fastening material steel, zinc plated
- 1x end cap MW 90 R 90°, grey **part no.** [220980/1](#)
- 1x mounting angle 45°, **part no.** [21.1708/1](#)
- 3x mounting angle 19 GD-Z, **part no.** [212078/0](#)
- Weight = 0.267 kg/piece

### Applications

- Corner connections of profiles 90 R 90°
- Constructions for show cases, tables etc.

### Assembly

- Fasten to central profile bore with fixation material from delivery scope
- Clip the end cap