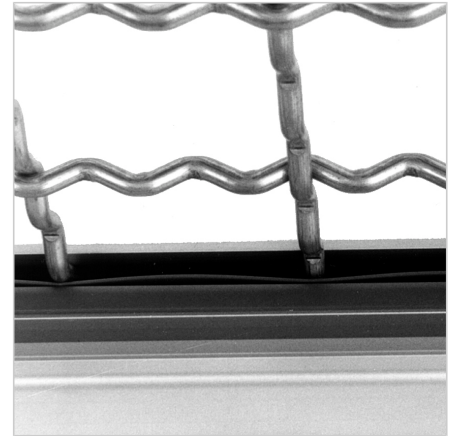
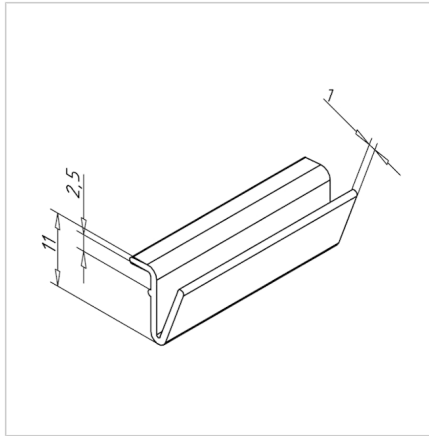


DISTANCE PROFILE 30 L=2m

Code: 221158/0

[Link to the product →](#)



Technical data/items supplied

- Mount the profile frames with the surface elements
- Push in distance profile on the inside or knock in with a flat tool

Applications

- For fixing surface elements such as corrugated mesh, panes and plates in the grooves of profile series 30

Assembly

- Mount the profile frames with the surface elements
- Push in distance profile on the inside or knock in with a flat tool