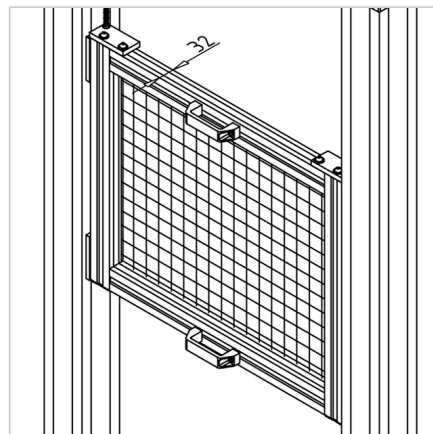
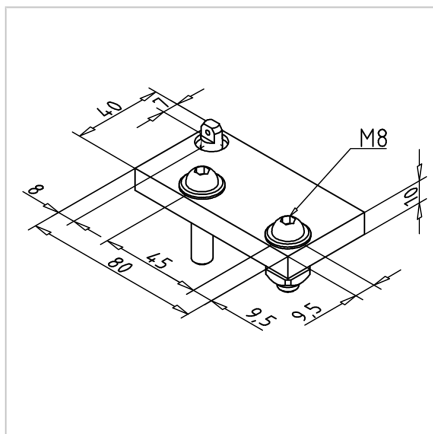


DOOR CHAIN CLAMPING DEVICE KI-32

Code: 211982/0

Chain clamp KI-32 provides secure attachment and precise tensioning of door chains in aluminum profile systems.

[Link to the product →](#)



Technical data/items supplied

- Steel, galvanized
- With fastening material and chain lock
- Weight = 0.278 kg/piece

Applications

- Use in connection with chain pulley 90 and chain 04
- Lifting plate made of profile 45 x 32 with sliding roller mounted between the posts

Assembly

- Mount plate on lifting plate and secure the roller chain 04 using the supplied chain lock
- Two chain clamps are required for each lifting field