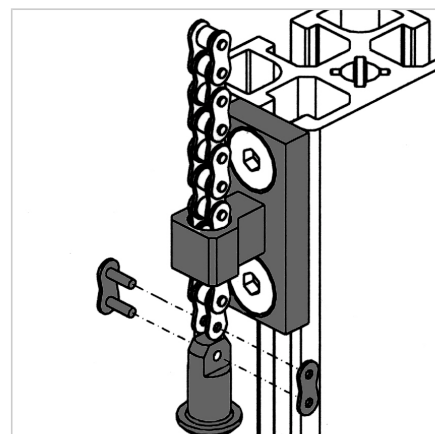
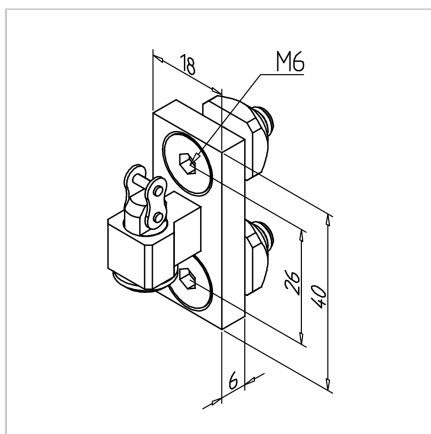
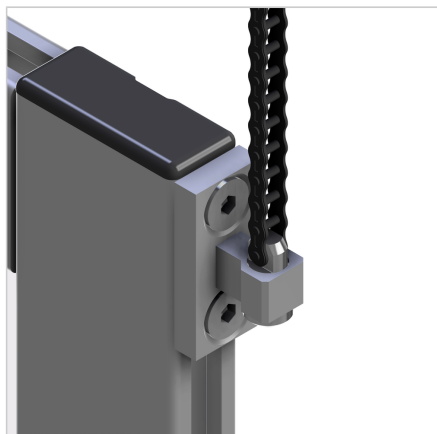


DOOR CHAIN CLAMPING DEVICE

Code: 211712/0

Chain clamp provides secure attachment and precise tensioning of door chains in aluminum profile systems.

[Link to the product →](#)



Technical data/items supplied

- Steel, galvanized
- With fastening material steel, zinc plated
- Weight = 0.060 kg/piece

Applications

- Use in conjunction with balancing weight 45 or 90 and chain reverse unit
- Use in conjunction with chain 04 **part no. 211713/0** for fixing to door side

Assembly

- Guide the chain through the balance weight and guide the chain clamp to the weight **part no. 211711/0** and install the chain lock
- When mounted on door, chain by mounted chain clamp door **part no. 211712/0** and install bolt with chain lock
- When making lift doors, where the chain is guided in the groove, we recommend the use of our sliding roller element **part no. 211796/0**. Here is a door gap to the post of 8 mm provided