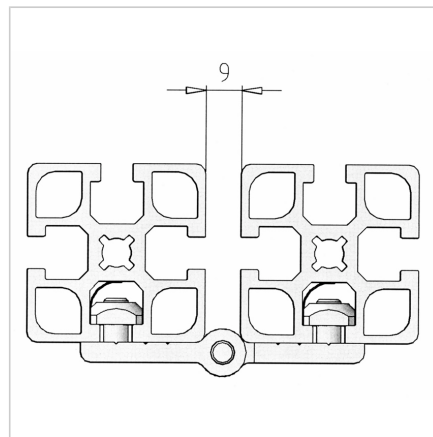
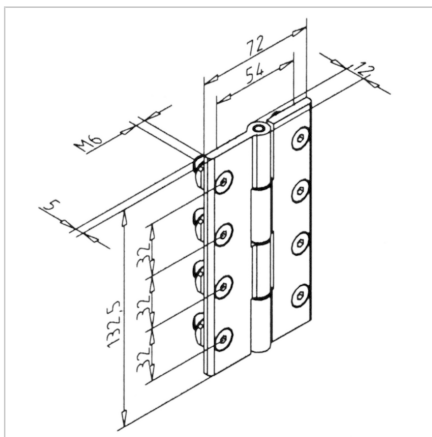
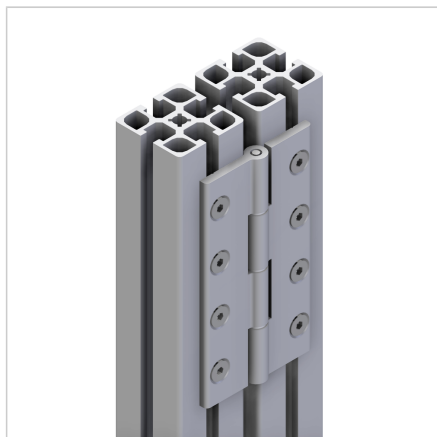


## DOOR HINGE LARGE

Code: 210970/0

Reinforced hinge for large profile-based doors, designed for long-lasting use in robust industrial applications.

[Link to the product →](#)



### Technical data/items supplied

- Aluminium, anodized E6/EV1
- With stainless steel shaft
- With fastening material steel, zinc plated
- Weight = 0.235 kg/piece

### Applications

- Suitable for large doors and lids
- Guard units
- Connection of profiles at various angles

### Assembly

- Screw tight to the profile groove with supplied hardware