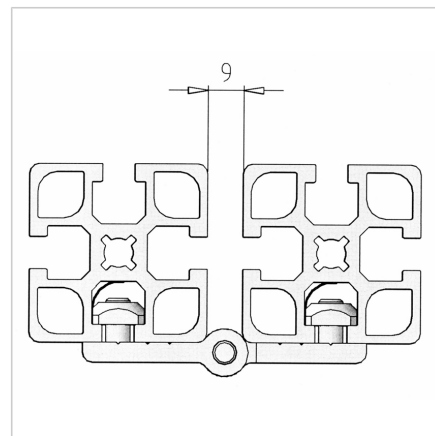
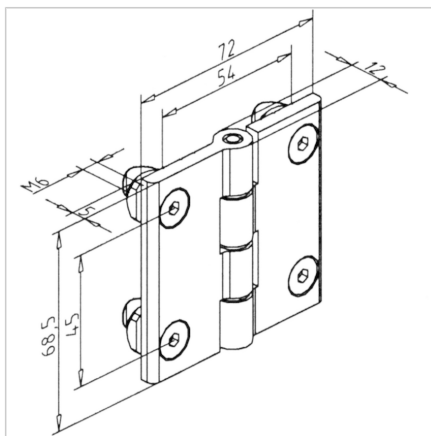
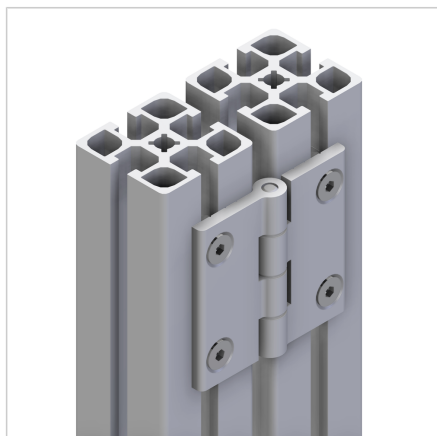


DOOR HINGE SMALL

Code: 210973/0

Compact hinge for aluminium profile systems, designed for long-term use in demanding technical and industrial environments.

[Link to the product →](#)



Technical data/items supplied

- Aluminium, anodized E6/EV1
- With stainless steel shaft
- With fastening material steel, zinc plated
- Weight = 0.120 kg/piece

Applications

- Suitable for large doors and lids
- Guard units
- Connection of profiles at various angles

Assembly

- Screw tight to the profile groove with supplied hardware