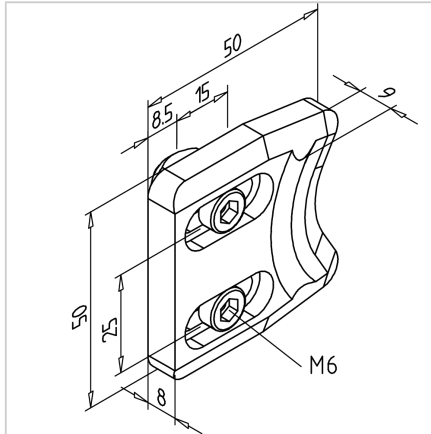


DOOR STOP S

Code: 211767/0

Door catch ensures reliable locking and prevents accidental opening while allowing easy and quick door release.

[Link to the product →](#)



Technical data/items supplied

- Zinc, Pressure die-casting, black
- With fastening material steel, zinc plated
- Weight = 0.077 kg/piece

Applications

- Stop for doors and hatches
- Specifically suitable in connection with handle, T-handle and bolt lock
- Also door catch

Assembly

- Fasten to the posts with supplied hardware