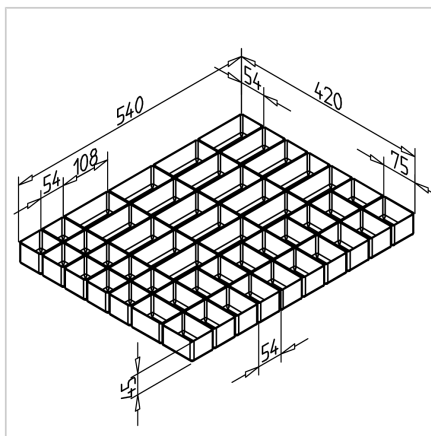
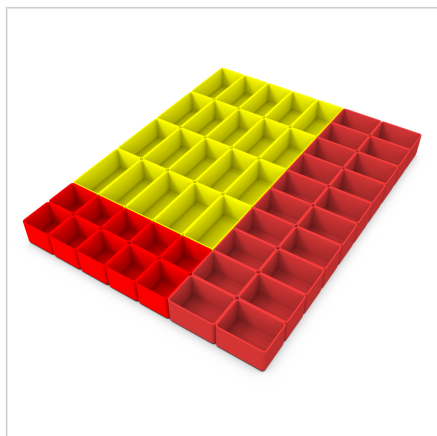


DRAWER CONTAINER SET 1

Code: 320807/0

Storage containers for workbench drawers keep tools and materials neatly organized, improving efficiency at the workstation.

[Link to the product →](#)



Technical data/items supplied

- Drawer inside dimensions
W x D 425 x 550 mm
- For panel height 100-300 mm
- 20 x Container yellow 54 x 108 x 45 mm
- 20 x red container 54 x 75 x 45 mm
- 10 x Container red 54 x 54 x 45 mm
- Other arrangements on request
- High impact polystyrene
- The items with the **Art. no.:** 320671/0 **Organiser box yellow 108x54x45 mm,**
Art. no.: 320672/0 **Organiser box red**
54x54x45 mm, Art. no.: 320673/0 **Organiser box, red 54x75x45 mm,**
Art. no.: 320674/0 **Organiser box blue**
108x108x45 mm, Art. no.: 320676/0 **Organiser box green 162x108x45**
mm, can also be ordered separately.
- suitable for food, temperature resistant:
-20 °C to +70 °C and free of bisphenol A
(BPA)
- Weight = 1.280 kg/piece

Applications

- For the transparent arrangement of small parts

Assembly

- Easy to remove and reinstall