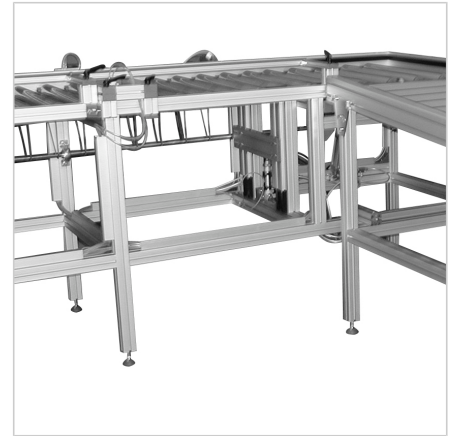
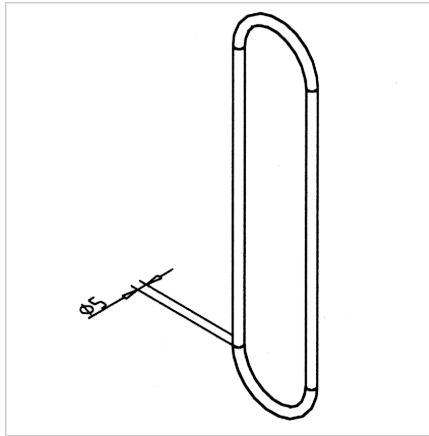
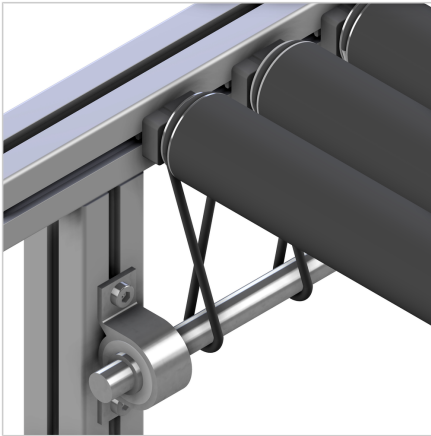


## DRIVE BELT PU L=550; D=5; ENDLESS FOR ROLLER CONVEYOR

Code: 211050/7

[Link to the product →](#)



### Technical data/items supplied

- PU, green
- $\varnothing$  5 mm
- Endless length 550 mm
- Weight = 0.050 kg/piece

### Applications

- Drive of conveyor rollers via king shaft
- When driving roller pairs, one obtains a center distance  $A = 207$  mm

### Assembly

- Strip driving belt over driving shaft
- Strap the belt over individual rollers and clip
- Rolls in inaccessible places with drive belt NBR **part no. 211050/1** bis **part no. 211050/6** connect