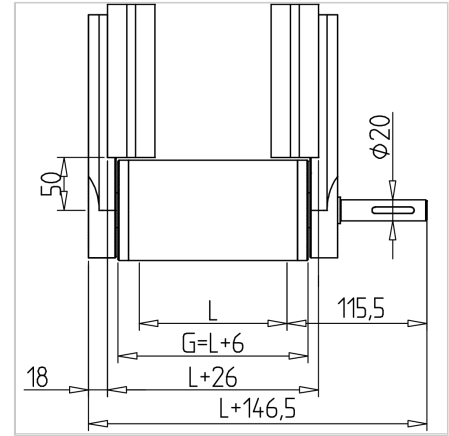
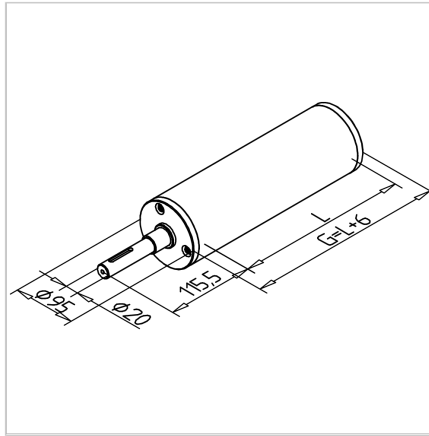
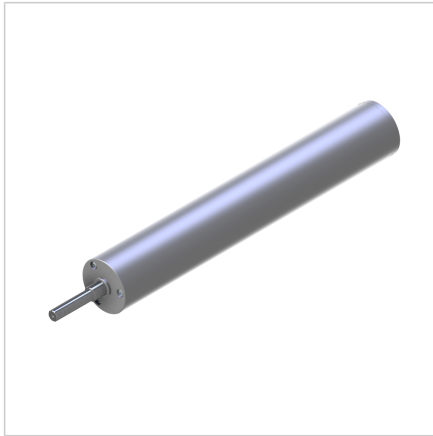


## DRIVE DRUM 90 FOR PLUG-ON MOTOR D20

Code: 295035/0

[Link to the product →](#)



### Technical data/items supplied

- Aluminium with shaft made of steel
- Turned round
- Shaft journal  $\varnothing 20$  mm
- **Please specify dimension L (belt width)**
- **Attention: L is not the outer diameter of the conveyor  $\varnothing 95$**
- Weight = (basic weight) approx. 0.7 kg
- Extra weight = 1.506 kg/100 mm belt width

### Applications

- MiniTec belt conveyor system with motor kit and conveyor bearing **part no. 210985/0**
- Upon request, we can supply the conveyor with mounted ball bearings. The bearings are hot pressed in a material-friendly manner. In addition, please order the following **part no. 21.0902/0**.

### Assembly

- Insert the belt driving cylinder in the bearing housing on the motor side
- Mount conveyor bearing at opposite part **part no. 210985/0**