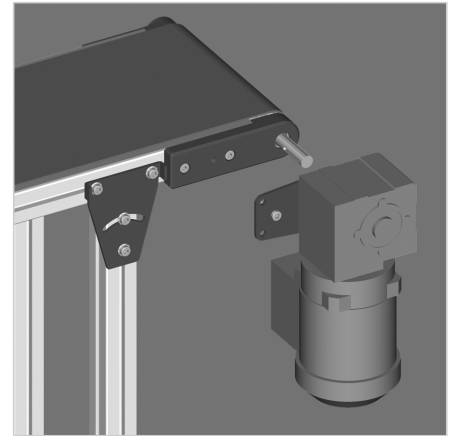
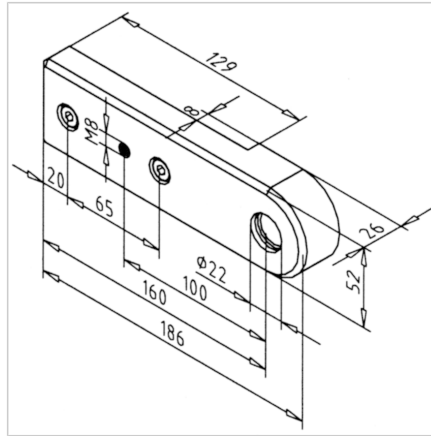
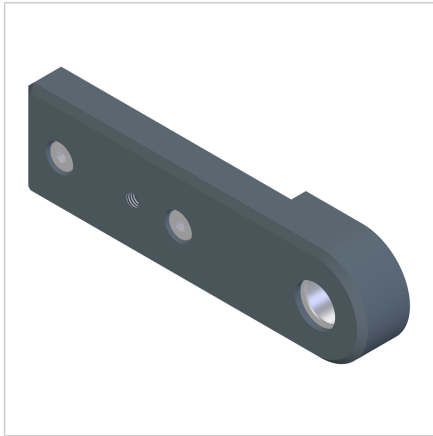


## DRUM BEARING 45 - 20 FOR DRIVE JOURNALS UP TO 20 MM

Code: 210917/0

[Link to the product →](#)



### Technical data/items supplied

- Aluminium, powder-coated, grey
- With fastening material steel, zinc plated
- Self-aligning bearing with hole  $\varnothing$  20 mm, sealed on both sides
- Weight = 0.582 kg/piece

### Applications

- MiniTec conveyor belts for plug-on motors with hollow shaft  $\varnothing$  20 mm in conjunction with torque arms and drum **part no. 295042/0**
- Can be retrofitted with intervention protection **part no. 210909/9**

### Assembly

- Pre-mount conveyor bearing to profile end
- Firmly tighten the conveyor bearing (recommended tightening torque: 25 Nm)