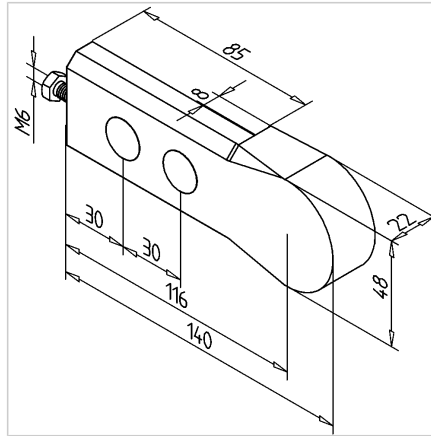


DRUM BEARING 45 VA

Code: 210979/0

[Link to the product →](#)



Technical data/items supplied

- Stainless steel, machined, bright
- Self-aligning bearing with bore \varnothing 17 mm, sealed on both sides
- Fixing material and ball bearing are stainless
- Weight = 0.715 kg/piece

Applications

- Enota za spremembo smeri in pogonski valj transportnih trakov
- Lahko se naknadno opremi z zaščito pred posegom **ident št.** 210909/9

Assembly

- Pre-mount conveyor bearing to profile end
- When using swivel plates **part no.** 295001/0 for mounting the substructure, these serve as counter-bearings for clamping, otherwise use multi-block or mounting angle bracket
- Tighten the conveyor belt by unscrewing the set screw, if necessary reset the tool
- Firmly tighten the conveyor bearing (recommended tightening torque: 25 Nm)